



SINKS AND HYGIENE EQUIPMENT Unitech manufacture a wide range of quality stainless steel equipment to fulfil all your cleaning, washing and hygiene needs. These can either be standard or bespoke items.

Tel: +44(0)1543 675800 Fax: +44(0)1543 687070 email: info@unitech.uk.com web: www.unitech.uk.com



KNEE OPERATED SINKS

Stainless steel 304 grade knee operated sink units complete with chrome plated 6" long spout and 1 1/2" BSP waste outlet.

OPTIONS

- Wall or pedestal mounted.
- 1 to 10 person.
- Knee or sensor operated models available, either mains electric or battery powered.
- Available with central drain and sloping base.
- Heater unit available for cold water only premises.
- Soap and alcohol dispensers can be attached.
- High back splash option.
- Sensor operated available, mounted integrally in spout.



Item Description	Drawing No.		Width	Length
1 Man Knee Operated Sink	KS.001.01	KS.001.01HB	405	465
2 Man Knee Operated Sink	KS.001.02	KS.001.02HB	405	800
3 Man Knee Operated Sink	KS.001.03	KS.001.03HB	405	1200
4 Man Knee Operated Sink	KS.001.04	KS.001.04HB	405	1600
5 Man Knee Operated Sink	KS.001.05	KS.001.05HB	405	2000
6 Man Knee Operated Sink	KS.001.06	KS.001.06HB	405	2400
7 Man Knee Operated Sink	KS.001.07	KS.001.07HB	405	2800
8 Man Knee Operated Sink	KS.001.08	KS.001.08HB	405	3200
9 Man Knee Operated Sink	KS.001.09	KS.001.09HB	405	3600
10 Man Knee Operated Sink	KS.001.10	KS.001.10HB	405	4000

HEATER UNIT VERSION

- Integral heater unit.
- Ideal for retail outlets with cold water only.
- 3 KW rated.
- 1 1/2" BSP waste.
- Pedestal option.
- 15mm water inlet.



ABATTOIR VERSION

- Available with integral steriliser.
- Centrally drained bowl.
- Sloping base.
- Knee operated.

Ref: AS.001.01

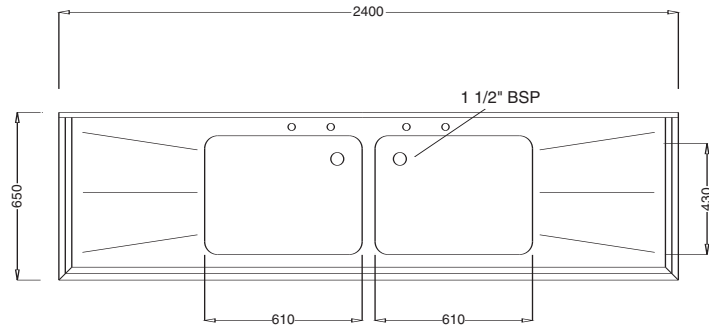


CATERING SINK

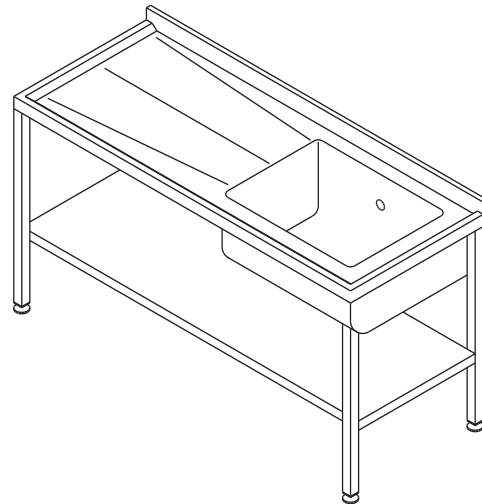
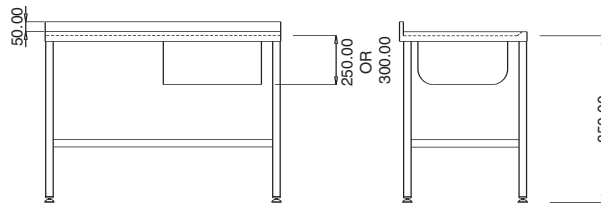
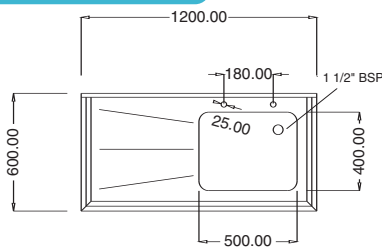
Unitech offer a range of stainless steel sinks for all your catering applications. Single and double units are available with drainage to suit customer's application. A full range of taps and accessories are also available if required. Units supplied complete with stainless steel stands.



- Deep pressed sink bowls.
- Single, double or triple sinks.
- Various sizes of bowls available.
- Sheet shelf or tublar shelf.
- 4 or 6 legs with adjustable feet.
- Stand pipe taps and overhead spray units available.
- Heavy duty tops available (2mm).
- Upstands available.
- Anti-drip moulding.



DIMENSIONS



Code	Description	Part no.
S1 001M	1000 x 600 Single bowl catering sink (Sink depth 250)	CS.001.01
S2 002M	1200 x 600 Single bowl catering sink (Sink depth 250)	CS.001.02
S3 003M	1500 x 600 Single bowl catering sink (Sink depth 250)	CS.001.03
S4 004M	1500 x 600 Double bowl catering sink (Sink depth 250)	CS.001.04
S5 005M	740 x 650 Single bowl catering sink (Sink depth 250)	CS.001.05
S6 006M	1200 x 650 Single bowl catering sink (Sink depth 250)	CS.001.06
S7 007M	1500 x 650 Single bowl catering sink (Sink depth 250)	CS.001.07
S8 008M	1800 x 650 Single bowl catering sink (Sink depth 250)	CS.001.08
S9 009M	1800 x 650 Double bowl catering sink (Sink depth 250)	CS.001.09
S10010M	2400 x 650 Double bowl catering sink (Sink depth 250)	CS.001.10
S11011M	3000 x 650 Double bowl catering sink (Sink depth 250)	CS.001.11
S12012M	1200 x 700 Single bowl catering sink (Sink depth 250)	CS.001.12
S13013M	1500 x 700 Single bowl catering sink (Sink depth 250)	CS.001.13
S14014M	1800 x 700 Single bowl catering sink (Sink depth 250)	CS.001.14
S15015M	1800 x 700 Double bowl catering sink (Sink depth 250)	CS.001.15
S16016M	2400 x 700 Single bowl catering sink (Sink depth 250)	CS.001.16

COMBINED BUCKET UTENSIL SINK

- 304 grade stainless steel, specially designed for hygiene lobbies.
- Centrally mounted tap blocks to fill each sink.
- Fully welded frame with adjustable feet.
- High back and side splashes to minimise spills.

Ref: **US.001.01** - Utensil sink

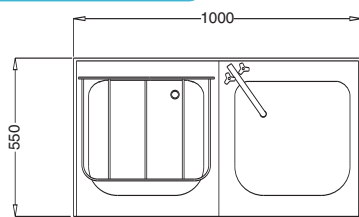
Ref: **US.C01.01** - Combined bucket/utensil sink

OPTIONS

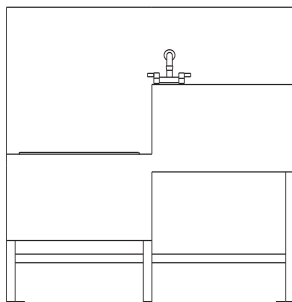
- Bead blast finish.
- Different bowl sizes to suit individual requirements.



DIMENSIONS



PLAN LAYOUT



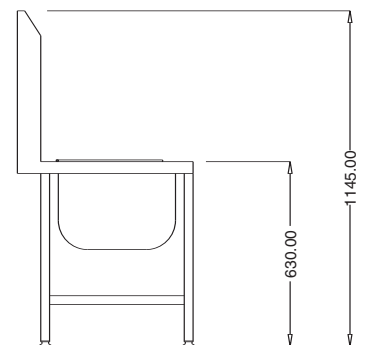
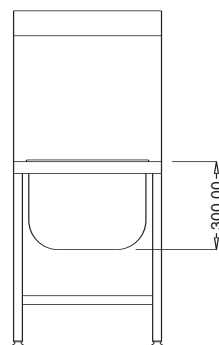
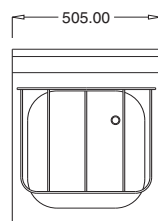
STANDARD BUCKET SINK

- Bowl size 400mm x 400mm x 250mm deep.
- Fully welded with adjustable feet.
- High back splash.
- Hinged support grid for bucket.
- Bead blast finish option.

Ref: **US.BS1.01**



DIMENSIONS



REF:- AZ1147AB

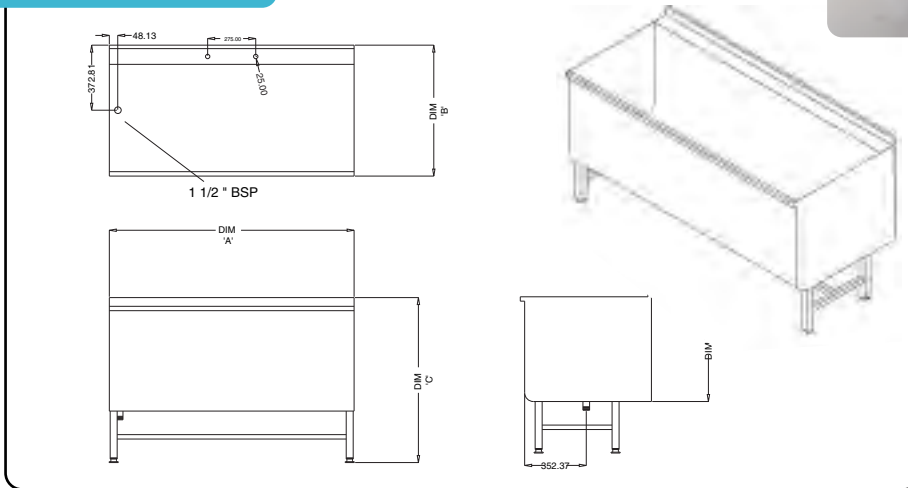
BELFAST SINK

- Deep bowl suitable for cleaning large utensils and machine parts.
- Fully welded support frame with adjustable feet.
- Waste with gate valve or stand pipe.
- Full range of taps and accessories available.
- 304 grade stainless steel finish.
- Complete with back splash.

Ref: BS.001.01



DIMENSIONS



Drawing No.	Dim 'A'
BS.001.910H	910
BS.001.910L	910
BS.001.1160H	1160
BS.001.1160L	1160
BS.001.1410H	1410
BS.001.1410L	1410
BS.001.1910H	1910
BS.001.1910L	1910

STAINLESS STEEL WASH BASINS

Circular Washfountain

Product code 356:358

- Circular washfountain available in two sizes to suit either 6 or 8 users with all valves and pipework fully concealed within black vinylclad housing.
- Hand operated push buttons activate individual timed flow non-hold open valves, adjustable for flow duration ranging from 5 to 60 seconds.
- Individual foot operated valves activate water flow as long as the push button is depressed.
- Dual operation gives both hand and foot control of individual water outlets. Sensor operation provides non-touch control of individual water outlets.
- Flow is activated as long as the users hands are within the basin area. Sensor operated unit supplied with a 240VAC/24VAC transformer for remote siting.
- Washfountain delivered fully assembled with liquid soap dispensing system built into the stainless steel spray head assembly, thermostatic mixing valve, combined checkstop and strainer valves and unslotted grated waste fitting with 1 1/2" OD x 4" long plain spigot tail piece.



Corner Wash Basin

Product code 244

- Corner wash basin with overall dimensions 365 x 365 x 105mm deep.
- Basin produced with two tap holes and supplied as standard with apron support and 32mm BSP combined waste and overflow fitting, plug and chain.



Compact Wash Basin

Product code 245

- Compact wash basin with overall dimensions 400 x 350 x 105mm deep.
- Basin produced with two tap holes and supplied as standard with apron support and 32mm BSP combined waste and overflow fitting, plug and chain.
- Basin can be supplied with optional stainless steel tap hole blank.



STAINLESS STEEL URINALS



All urinals are supplied as standard with:

- Integral return ends for either wall or free standing installations.
- 2" BSP dome grated waste fitting positioned at either the right or left hand end (code 064 centre only).
- Concealed sparge pipes with either a top (TE) or back (BE) entry connection (code 064 top entry only).
- Stainless steel flushpipe and white plastic automatic cistern.

Wall Hung Trough Urinal

Product code 064

- Sloping sides.

Standard length	Cistern Capacity
1200mm	1 x 9.0 litre
1500mm	1 x 13.65 litre
1800mm	1 x 13.65 litre
2100mm	1 x 13.65 litre
2400mm	1 x 13.65 litre



Wall Hung Trough Urinal

Product code 065

- Non-standard lengths can be supplied.
- Price as next available standard length.

Standard length	Cistern Capacity
1200mm	1 x 9.0 litre
1800mm	1 x 13.65 litre
2400mm	1 x 13.65 litre
3000mm	1 x 13.65 litre



Floor Recessed Slab Urinal

Product code 066

- Non-standard lengths can be supplied.
- Price as next available standard length.

Standard length	Cistern Capacity
1200mm	1 x 9.0 litre
1800mm	1 x 13.65 litre
2400mm	1 x 13.65 litre
3000mm	2 x 9.00 litre



Floor Standing Slab Urinal

Product code 067

- Non-standard lengths can be supplied.
- Price as next available standard length.

Standard length	Cistern Capacity
1200mm	1 x 9.0 litre
1800mm	1 x 13.65 litre
2400mm	1 x 13.65 litre
3000mm	2 x 9.00 litre



Automatic Cistern

Product code 131

Capacities

4.5 / 9.0 / 13.65

Urinal Options

Code	Description
JT	Joint cover trim
CS	Corner infill section for "L" or "U" plan assembly
RU	Removable undershroud (only available on 065)
WG	White Enviro-Glaze (only available on 065)

STAINLESS STEEL WC PANS



All WC pans feature:

- 1.9mm thick stainless steel construction.
- Elliptical shaped bowl with ultra smooth internal finish.
- Ergonomic design.
- Integral contoured seat with high polish sanitary finish.
- Self draining security flushing rim.
- Water saving low volume flushing.
- 100mm diameter outlet.

Close Coupled WC Suite

Product code 091

- WC suite incorporates a 7.5 litre concealed BIBO cistern, housed within a stainless steel enclosure, operated by a CP front lever with restricted travel.
- WC pan has removable access panels, horizontal outlet and is supplied with inlet connector and concealed floor fixing plate.
- WC pan can be converted to vertical outlet using optional WCC90 connector.
- WC suite can be adapted for use by disabled people by using optional DOCM fitting kit.



Wall Hung WC Pan

Product code 101

- WC pan supplied with inlet connector and four M12 x 150mm long bolts to suit walls up to 118mm thick.
- For non-load bearing walls optional support brackets are available.



Back to Wall WC Pan

Product code 102

- With horizontal outlet.
- WC pan supplied with inlet connector, concealed floor fixing plate and four M12 x 150mm long bolts to suit walls up to 118mm thick.



Back to Wall WC Pan

Product code 103

- With vertical outlet.
- WC pan has removable access panels and is supplied with inlet connector, concealed floor fixing plate and four M12 x 150mm long bolts to suit walls up to 118mm thick.



BATHROOM ADDITIONS



Squatting WC Pan

Product code 112

- Squatting WC pan supplied with back inlet flushing terminal.
- WC pan can be used with optional high level manual stainless steel or plastic cisterns.



Bowl Urinal

Product code 072

- Manufactured in one piece in 304 grade satin finish stainless steel.
- Integral shroud suits locations with exposed surface mounted waste pipework.
- Vandal resistant design.
- Integral shroud.
- Hygienic one-piece construction.
- Easily and quickly installed at adult or junior height.
- Supplied with a flush grated waste fitting, spreader assembly and water inlet connector.

TECHNICAL SPECIFICATIONS

Supplied with 32mm (1 1/4") BSP flush grated waste fitting. Water inlet fitting to suit 15mm diameter pipework. Recommended mounting height – 1800mm (minimum) to 2000mm (maximum).



Options

- Available as single bowl or in a range form of 1, 2 or 3 urinals.
- Range urinals supplied with automatic cistern, flushpipe and feedpipes.
- Stainless steel wall divider panel.
- Stainless steel automatic cistern

Wall Mounted Drinking Fountain

Product code 461:462

- Wall mounted drinking fountain with smooth radiused design and top incorporating rear splashback.
- Available in two designs with either integral wall mounting brackets or half height undershroud to conceal supply and waste pipework.
- Supplied as standard with chrome plated shielded bubbler with self closing push button valve, water inlet fitting to suit 15 mm dia pipework and 1 1/4" BSP unslotted flush grated waste fitting.



Product Code	Design
461	Integral wall brackets
462	Integral half height undershroud

Product code 461 available with optional with Enviro-Glaze finish.

Manual Stainless Steel Cistern

Product code 132

- Manual 7.5 litre stainless steel SISO cistern for exposed surface mounting.
- Supplied with syphon, float operated valve and stainless steel flushpipe.
- Low level operated by CP front lever with restricted travel, high level has side lever with chain pull.



STAINLESS STEEL WASHROOM ACCESSORIES

Recess Mounted Soap Dispensers

Product code 711-0326 horizontal

Product code 711-0327 vertical

- With refill window and pull-out vessel for easy filling and cleaning.
- Capacities: horizontal design = 1.5 litres, vertical design = 1 litre.

Surface Mounted Soap Dispensers

Product code 711-0342 horizontal

Product code 711-0343 vertical

- With refill window, concealed fixing and hinged filler top.
- Capacity of 1.2 litres.

Deck Mounted Soap Dispensers

Product code 711-0332 1 litre-spout length 102mm

Product code 711-0332 1 litre-spout length 152mm

- With free-turning stainless steel spout and CP plated brass escutcheon.
- Fills from top for ease of maintenance.
- Adjustable threaded shank allows for installation in counter tops up to 90mm thick through 22mm diameter hole.

STERILE GLOVE DISPENSER

- Stainless steel manufacture.
- Made to any size.
- Manufactured to industry standard - please supply sample of box.
- Wall mounted.

Ref: DI.G01.01

STAINLESS STEEL MIRRORS

- Pre-drilled
- High polish finish.
- Standard sizes: 400 x 400mm; 600 x 600mm; 600 x 400mm
- Any size available.

Ref: MI.001.00

Shower Tray

Product code 491

- Shower tray with turned down edges.
- Available in two standard sizes or can be made to suit specific requirements.
- For installation into floor recess or onto suitable sub-frame for flooring standing applications.
- Central or corner waste outlet position and supplied with 1½" BSP unslotted flush grated waste fitting.



STAINLESS STEEL WASHROOM ACCESSORIES

Hand Dryer

Product code 731:732

- Hygienic "no-touch" operation.
- High velocity warm air for fast hand drying.
- Vandal resistant casing.
- Stainless steel or white gloss finish.
- Space saving compact design.
- High output heater and fan for faster drying.
- British Safety Council and CE approved.
- Automatically switches off after 60 seconds.
- Fan motor fitted with extra long life carbon brushes.

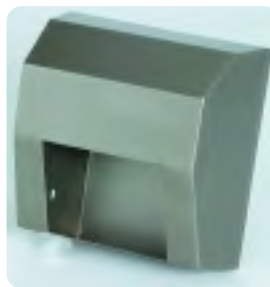
TECHNICAL SPECIFICATIONS

220-240VAC 50/60Hz.
Class 1 insulation.
Infra red sensor operation.

Aluminium (white gloss) version
Motor speed of 5500 rpm (white cover)
2.6 KW heat output.
27 seconds drying time.
74 dB noise level.
Product code: 731

TECHNICAL SPECIFICATIONS

Stainless steel version
Motor speed of 2700 rpm (stainless steel cover)
1.82KW heat output.
30 seconds drying time.
65 dB noise level.
Product code: 732.



Inner chamber model



Dual Toilet Paper Dispenser

Product code 711-0030 - surface mounted.
Product code 711-0031 - recess mounted.

- Holds two rolls up to 135mm in diameter.
- Top roll automatically drops in place when lower roll is finished.
- Complete with tumbler lock and theft resistant spindles.



Jumbo Toilet Tissue Dispenser

Product code 711-JRH-240
Product code 711-JRH-300
Product code 711-JRH-360

- Three sizes to suit 200, 305 and 355mm diameter rolls.
- Cover retained to backplate by security type screw.
Product codes: 711-JRH-240
711-JRH-300
711-JRH-360



Stainless Steel Paper Towel Dispensers

Product code WC0110/SS



KNIFE STERILISERS

- Manufactured to hold 6/12 knives and 2 steels.
- Temperature indicator light and built in thermostat available.
- Knives remain thoroughly sterile within the production area.
- Photograph features version with 6 knife capacity.
- Chest steriliser available.

Product Code	L	W	H
SU.K01.02	12 knife steriliser	615	660
SU.K01.01	6 knife steriliser	360	660

TECHNICAL SPECIFICATIONS

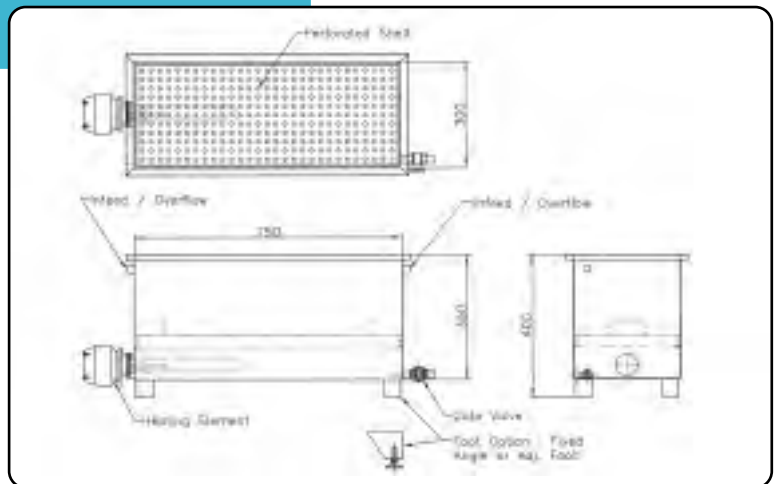
- Made from 304 stainless steel.
 - Smooth finish.
 - Removeable knife cradle.
 - Indicator lights option.
 - Hinged lid.
- Capacity: Small 6 knives/2 steels
Medium 12 knives/2 steels

- **Water supply:**
Inlet 1/2" BSP
Outlet 1/2" BSP
Min. pressure 30psi
- **Electric supply**
240 volt.
Single phase.
Element: 3kW



CHEST STERILISERS

Product Code	Dimensions
SU.CU1.01	750 x 300 x 400
SU.CU1.02	1140 x 650 x 938



SAW STERILISERS

- Manufactured from Stainless Steel.
- Temperature light and built in thermostat available.
- Saws kept sterile in cutting room.
- Large unit size 1200mm x 220mm x 800mm high.
- Small unit size 560mm x 220mm x 800mm high.

- **Water supply:**
Inlet 1/2" BSP
Outlet 1/2" BSP
Min. pressure 30psi
- **Electric supply**
240 volt.
Single phase.
Element: 3kW

Product Code	H	W	L
SU.S01.01	560	220	855
SU.S01.02	1200	220	855



STAINLESS STEEL CABINETS



Hair-net/Shoe Cover Dispenser

- Disposable hair net/shoe dispenser.
- Manufactured in 304 quality stainless steel.
- No vision panel.
- Complete with lid and bottom discharge slots.
- Satin finish.

Size: 230 x 300 x 460mm

Ref: DI.S01.01



Hair-net/Shoe Cover Dispenser

- Disposable hair net/shoe dispenser.
- Manufactured in 304 quality stainless steel.
- With vision panel.
- Complete with lid and bottom discharge slots.
- Satin finish.

Size: 230 x 300 x 460mm

Ref: DI.H01.01



Stainless Steel Fire Extinguisher Cabinet

- Wall and floor fixing.
- Sloping top.
- Vision panel.
- Satin finish.

900 x 250 x 310mm

Ref: FC.001.01



Glove and Knife Lockable Cupboard

- Hinged door.
- Wall mounted
- Bead blast finish.
- Sloping top.
- Ideal for nightly storage.

600 x 350 x 160mm

Ref: CU.K01.01

