

PHARMACEUTICAL LABORATORY EQUIPMENT Manufactured from 304 or 316 grade stainless steel for ease of wash-down and cleaning, our range of clean room furniture is ideally suited for customers with ultra-hygiene standards. Please contact us to discuss any specific requirements you may have.

Tel: +44(0)1543 675800 Fax: +44(0)1543 687070 email: info@unitech.uk.com web: www.unitech.uk.com

CLEAN ROOM WORK STATIONS

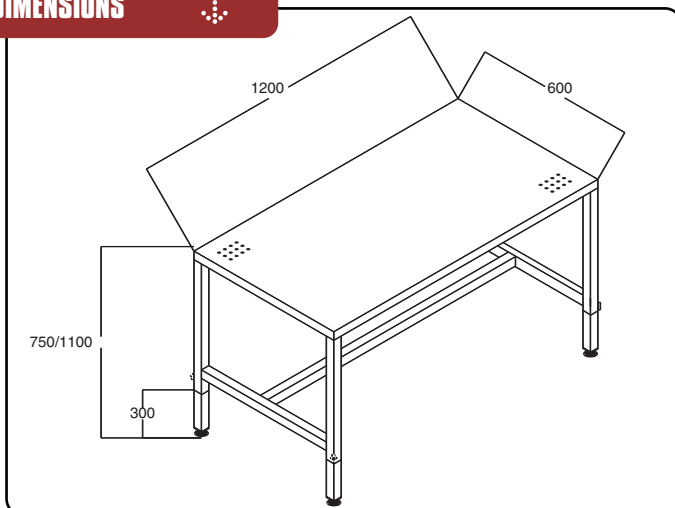


- Fully welded stainless steel 304 or 316 grade construction.
- 'A' or 'C' frame design.
- Solid, perforated or rod top surfaces.
- Heavy duty load bearing capacity.
- Vast range of sizes available to suit applications.
- Satin or highly polished finishes.
- Contact us if your requirements are not accommodated in the above.

Ref: **WS.PC1.01**



DIMENSIONS



CLEAN ROOM FILING CABINETS



TECHNICAL SPECIFICATIONS

- 304 grade stainless steel.
- Satin brushed finish.
- Lockable drawers.
- Robust design.
- Access for cleaning.

Applications

- Production areas.
- Laboratories.
- Research areas.



CLEAN ROOM CUPBOARD UNITS



- 304 grade stainless steel.
- Satin brushed finish.
- Internal shelves.
- Lockable drawers.
- Robust design.
- Access for cleaning.
- Wall or floor mounted.

Applications

- Production areas.
- Laboratories.
- Research areas.



CLEAN ROOM INTEGRATED CUPBOARDS/FILING CABINETS



- For use in production areas to store general equipment and paperwork.
- Raised adjustable legs facilitate easy cleaning.
- Each cupboard features a mid shelf and lockable door.
- The unit features a high rear upstand which may house electrical sockets etc.
- Integrated plinths.



Examples of builds.



TECHNICAL SPECIFICATIONS

- 304 grade stainless steel.
- Satin brushed finish.
- Internal shelves.
- Lockable drawers.
- Robust design.
- Access for cleaning.

Applications

- Production areas.
- Laboratories.
- Research areas.

CLEAN ROOM CHAIRS



- Frames manufactured from stainless steel.
- Hygienic design.
- Adjustable seat heights.
- Various styles available.
- With or without castors.
- Plastic or stainless steel seats and backs.



CLEAN ROOM COAT HANGERS



- Stainless steel 304 grade.
- Fully welded construction.
- Retained coat hangers.
- Sturdy and robust frame.
- Fixed or on castors.
- Various lengths.

Ref: CH.SF1.01 - Static

Ref: CH.MF1.01 - Mobile

Ref: CH.HO1.01 - Hanger



AUTOCLAVE TROLLEYS



- Trolleys for chamber steriliser trays.
- Custom designed and manufactured to requirements.
- Loaders and carriers for trolley transport.
- 304 or 316 stainless steel construction.
- Contact us to discuss bespoke specification.

Ref: AC.TR1.00

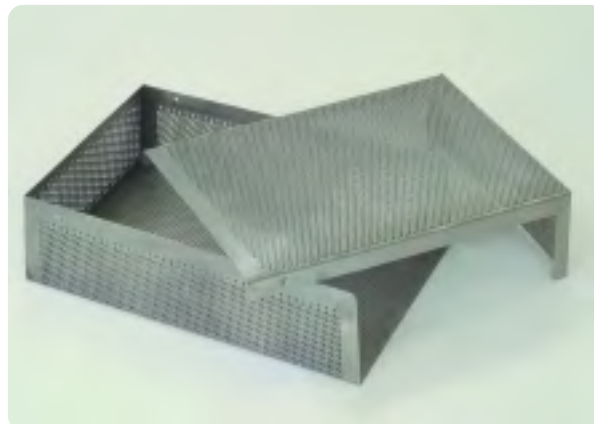
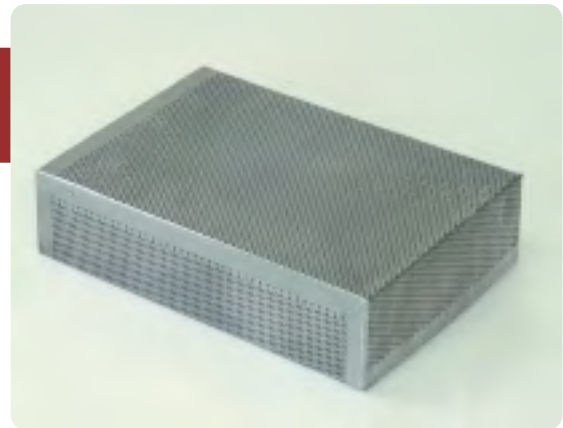


AUTOCLAVE TRAYS & CASSETTES

- Designed for pharmaceutical and medical Autoclave applications.
- 304 or 316 stainless steel construction.
- Precision manufacture for automated loading applications.
- Fully perforated with a range of designs to suit applications.
- Stackable, via cassette or ampoule cassette options available.
- Sizes to suit customer's requirements.

Ref: AC.T01.00

Ref: AC.C01.00



FLOOR/SUGAR DISPENSERS

- Stainless Steel Manufactured.
- 304 or 316 Grade.
- Satin or Polished finish.
- May be used for many varied powder products.
- Sizes to suit application.
- Mounting positions to customers requirements.
- Lidded or open top.

Ref: DI.FS1.00

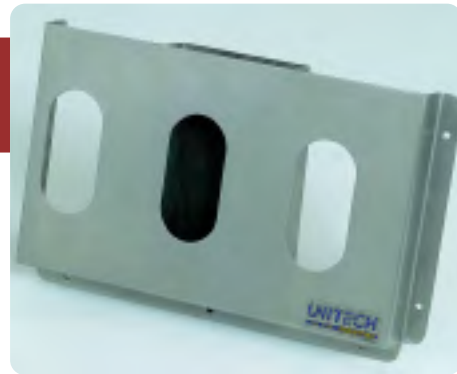


STERILE GLOVE DISPENSER

STERILE GLOVE DISPENSER

- Stainless steel manufacture.
- Made to any size.
- Manufactured to industry standard - please supply sample of box.
- Wall mounted.

Ref: DI.G01.00



STAINLESS STEEL MIRRORS

STAINLESS STEEL MIRRORS

- Pre-drilled
- High polish finish.
- Standard sizes: 400 x 400mm; 600 x 600mm; 600 x 400mm
- Any size available.

Ref: MI.001.00

