



UNITECH

ENGINEERING

ISSUE 10





Equipment Solutions for the Food Production Industry

Unitech is a leading supplier of high quality stainless steel and aluminium equipment to the food, beverage, pharmaceutical and other hygiene conscious industries.

Operating from our 75,000 square foot production facility in the heart of the West Midlands we offer a range of 'off the shelf' products as well as bespoke fabrications. We also have, through our experience the expertise to offer full turnkey projects with many impressive references both in the UK and worldwide.

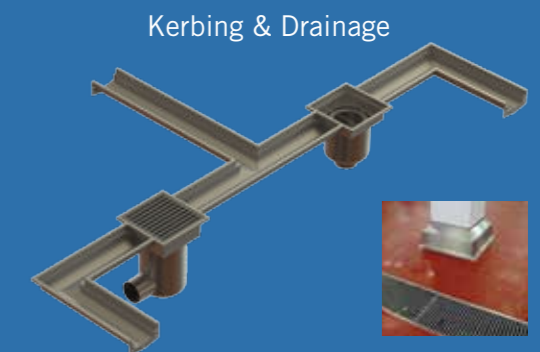
In more recent years the Unitech group has grown substantially and still continues to grow.

Whatever your needs, contact us today, we are sure to have an answer to your procurement needs.



Platforms

Design & Project Management



Kerbing & Drainage

Bootwashers



Lifting & Tipping

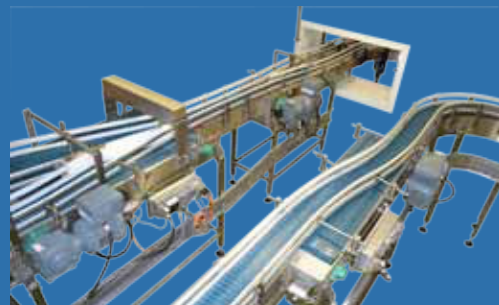


General Equipment

Conveyors & Sytems



Industrial Washing



DS4 Combi



DS300S Metal Detector



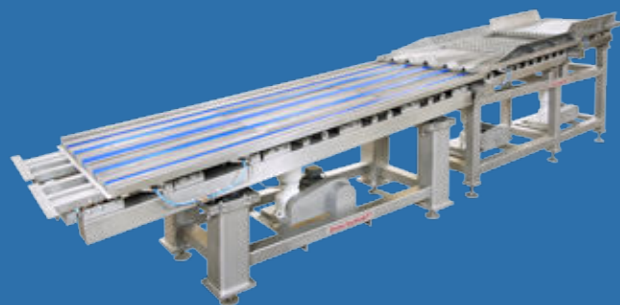
DS4 Checkweigher



Bench Scale



Laning Conveyor



Vibratory Conveyors



contents

Tables	6-11
Sinks	12-15
Racks	16-18
Trolleys	19-20
Trays	21
Welly Racks	22-23
Garment Dispensers	24
Lockers	25
Benches	26
Shoe Storage	27
Clothing Racks	28
Bathroom Additions	29
Urinals	30
Bins	31
Boot Washers	32-35
Bogies & Dollies	36
Cupboards	37-38
Pallets	39-40
Platforms & Steps	41-42
Drains & Kerbing	43-47
Vessels & Utensils	48-49
Washing Systems	50-54
Conveyors & Material Handling	55-58
Bespoke & Specials	59-60
Lifting & Tipping	61-64
Euro/Tote Bins	65-66
Taps	67
Parts & Spares	68-69
Unitech Industries Group Companies	70-71

Stainless Steel Tables

General Purpose Tables



Managers Desk

Code **MD.001.00**

- 304 grade stainless steel
- Four adjustable feet
- Various drawer arrangement to suit requirements
- Upstand to rear
- Fully welded box section construction
- Optional paper trays
- 1500 x 750 x 750mm

Optional 3 Tier Paper Tray Code **PT.001.01**

Pizza Table

850 x 650mm (h x w)	aluminium	stainless steel
900mm length	Code PT.001.01	Code PT.S01.01
1200mm length	Code PT.001.02	Code PT.S01.02
1500mm length	Code PT.001.03	Code PT.S01.03

- 304 grade stainless steel tops with aluminium or s/s frames
- Ideal for environments where sorting and selecting processes are made
- Various overshef designs available



We Specialise in Bespoke

Give us a call on +44(0)1543 675 800



Maple Blocks

- Removable 7" maple or hornbeam block
- Ideal for retail outlets
- Fully welded heavy duty
- Aluminium or stainless steel frame
- Shelf options available

Maple Blocks

	aluminium frame	stainless steel frame
405 x 850 x 405mm	Code MB.A01.01	Code MB.S01.01
455 x 850 x 455mm	Code MB.A01.02	Code MB.S01.02
610 x 850 x 455mm	Code MB.A01.03	Code MB.S01.03
760 x 850 x 455mm	Code MB.A01.04	Code MB.S01.04
915 x 850 x 455mm	Code MB.A01.05	Code MB.S01.05
610 x 850 x 610mm	Code MB.A01.06	Code MB.S01.06
760 x 850 x 610mm	Code MB.A01.07	Code MB.S01.07
915 x 850 x 610mm	Code MB.A01.08	Code MB.S01.08
1065 x 850 x 610mm	Code MB.A01.09	Code MB.S01.09
1220 x 850 x 610mm	Code MB.A01.10	Code MB.S01.10
1370 x 850 x 610mm	Code MB.A01.11	Code MB.S01.11
1525 x 850 x 610mm	Code MB.A01.12	Code MB.S01.12
1675 x 850 x 610mm	Code MB.A01.13	Code MB.S01.13
1830 x 850 x 610mm	Code MB.A01.14	Code MB.S01.14
760 x 850 x 760mm	Code MB.A01.15	Code MB.S01.15
915 x 850 x 760mm	Code MB.A01.16	Code MB.S01.16
1065 x 850 x 760mm	Code MB.A01.17	Code MB.S01.17
1220 x 850 x 760mm	Code MB.A01.18	Code MB.S01.18
1370 x 850 x 760mm	Code MB.A01.19	Code MB.S01.19
1525 x 850 x 760mm	Code MB.A01.20	Code MB.S01.20
1675 x 850 x 760mm	Code MB.A01.21	Code MB.S01.21
1830 x 850 x 760mm	Code MB.A01.22	Code MB.S01.22



Computer Cabinet

Floor standing Code **CD.001.00**
Desk top Code **CD.001.01**

- 304 grade stainless steel
- Pull out keyboard drawer
- Bottom cupboard
- Fully lockable
- Adjustable feet, bolt down for security



Filing Cupboards

2 drawer Code **FC.001.01**
3 drawer Code **FC.001.02**
4 drawer Code **FC.001.03**

- 304 grade stainless steel
- Satin finish
- Lockable drawers
- Robust design
- Access for cleaning



D1.001



D2.001



D3.001



D4.001

Desks/Lecterns

- 304 grade stainless steel
- Hygienic design
- Adjustable feet
- Robust and easy to clean
- Sloping top surfaces

Standard desk	560 x 596 x 900mm	Code D1.001
Standard desk c/w cupboard	560 x 596 x 900mm	Code D2.001
Standard lectern	596 x 596 x 1022mm	Code D3.001
Standard lectern c/w undershef	596 x 596 x 1022mm	Code D4.001
Standard lectern c/w 3 off drawers	596 x 596 x 1022mm	Code D5.001

Lockable Tops and Cupboards Available



Clipboards & Document Holders

Recipe Card Holder Code **CH.001.01**

Stainless steel clip boards	
Clipboard	Code CL.001.01
Clipboard with return	Code CL.001.02
A3 Landscape	Code CL.001.03
A3 Portrait	Code CL.001.04
A4 Aluminium Storage	Code CL.001.05
Wall mounted specification holder	Code CL.001.06
Document holder A4	Code CL.001.07
Pen - stainless steel	Code CL.001.08
Pen - aluminium	Code CL.001.09
Chain	Code CHAIN

Stainless Steel Tables

Stainless Steel Tables



Stainless Steel Tables

- 304 grade stainless steel top
- Stainless steel or Aluminium Frame
- Static or mobile
- Fully welded frame



Stainless Steel Topped Single Bar - 4 legs

Single bar - Standard stainless steel frame	
600 x 600 x 900mm	Code TS.S14.01
900 x 600 x 900mm	Code TS.S14.02
1200 x 600 x 900mm	Code TS.S14.03
1427 x 600 x 900mm	Code TS.S14.04
1800 x 600 x 900mm	Code TS.S14.05
1427 x 750 x 900mm	Code TS.S14.06
1800 x 750 x 900mm	Code TS.S14.07
1800 x 900 x 900mm	Code TS.S14.08

Single bar - Standard aluminium frame	
600 x 600 x 900mm	Code TA.S14.01
900 x 600 x 900mm	Code TA.S14.02
1200 x 600 x 900mm	Code TA.S14.03
1427 x 600 x 900mm	Code TA.S14.04
1800 x 600 x 900mm	Code TA.S14.05
1427 x 750 x 900mm	Code TA.S14.06
1800 x 750 x 900mm	Code TA.S14.07
1800 x 900 x 900mm	Code TA.S14.08

Single bar - Heavy duty stainless steel frame	
600 x 600 x 900mm	Code TS.S14.HD.01
900 x 600 x 900mm	Code TS.S14.HD.02
1200 x 600 x 900mm	Code TS.S14.HD.03
1427 x 600 x 900mm	Code TS.S14.HD.04
1800 x 600 x 900mm	Code TS.S14.HD.05
1427 x 750 x 900mm	Code TS.S14.HD.06
1800 x 750 x 900mm	Code TS.S14.HD.07
1800 x 900 x 900mm	Code TS.S14.HD.08



Stainless Steel Topped Three Bar - 4 legs

Three bar - Standard stainless steel frame	
600 x 600 x 900mm	Code TS.S34.01
900 x 600 x 900mm	Code TS.S34.02
1200 x 600 x 900mm	Code TS.S34.03
1427 x 600 x 900mm	Code TS.S34.04
1800 x 600 x 900mm	Code TS.S34.05
1427 x 750 x 900mm	Code TS.S34.06
1800 x 750 x 900mm	Code TS.S34.07
1800 x 900 x 900mm	Code TS.S34.08

Three bar - Standard aluminium frame	
600 x 600 x 900mm	Code TA.S34.01
900 x 600 x 900mm	Code TA.S34.02
1200 x 600 x 900mm	Code TA.S34.03
1427 x 600 x 900mm	Code TA.S34.04
1800 x 600 x 900mm	Code TA.S34.05
1427 x 750 x 900mm	Code TA.S34.06
1800 x 750 x 900mm	Code TA.S34.07
1800 x 900 x 900mm	Code TA.S34.08

Three bar - Heavy duty stainless steel frame	
600 x 600 x 900mm	Code TS.S34.HD.01
900 x 600 x 900mm	Code TS.S34.HD.02
1200 x 600 x 900mm	Code TS.S34.HD.03
1427 x 600 x 900mm	Code TS.S34.HD.04
1800 x 600 x 900mm	Code TS.S34.HD.05
1427 x 750 x 900mm	Code TS.S34.HD.06
1800 x 750 x 900mm	Code TS.S34.HD.07
1800 x 900 x 900mm	Code TS.S34.HD.08



Stainless Steel Topped Single Bar - 6 legs

Single bar - Standard stainless steel frame	
2133 x 600 x 900mm	Code TS.S16.01
2425 x 600 x 900mm	Code TS.S16.02
2743 x 600 x 900mm	Code TS.S16.03
2925 x 600 x 900mm	Code TS.S16.04
2133 x 750 x 900mm	Code TS.S16.05
2425 x 750 x 900mm	Code TS.S16.06
2743 x 750 x 900mm	Code TS.S16.07
2743 x 900 x 900mm	Code TS.S16.08

Single bar - Standard aluminium frame	
2133 x 600 x 900mm	Code TA.S16.01
2425 x 600 x 900mm	Code TA.S16.02
2743 x 600 x 900mm	Code TA.S16.03
2925 x 600 x 900mm	Code TA.S16.04
2133 x 750 x 900mm	Code TA.S16.05
2425 x 750 x 900mm	Code TA.S16.06
2743 x 750 x 900mm	Code TA.S16.07
2743 x 900 x 900mm	Code TA.S16.08

Single bar - Heavy duty stainless steel frame	
2133 x 600 x 900mm	Code TS.S16.HD.01
2425 x 600 x 900mm	Code TS.S16.HD.02
2743 x 600 x 900mm	Code TS.S16.HD.03
2925 x 600 x 900mm	Code TS.S16.HD.04
2133 x 750 x 900mm	Code TS.S16.HD.05
2425 x 750 x 900mm	Code TS.S16.HD.06
2743 x 750 x 900mm	Code TS.S16.HD.07
2743 x 900 x 900mm	Code TS.S16.HD.08



Stainless Steel Topped Three Bar - 6 legs

Three bar - Standard stainless steel frame	
2133 x 600 x 900mm	Code TS.S36.01
2425 x 600 x 900mm	Code TS.S36.02
2743 x 600 x 900mm	Code TS.S36.03
2925 x 600 x 900mm	Code TS.S36.04
2133 x 750 x 900mm	Code TS.S36.05
2425 x 750 x 900mm	Code TS.S36.06
2743 x 750 x 900mm	Code TS.S36.07
2743 x 900 x 900mm	Code TS.S36.08

Three bar - Standard aluminium frame	
2133 x 600 x 900mm	Code TA.S36.01
2425 x 600 x 900mm	Code TA.S36.02
2743 x 600 x 900mm	Code TA.S36.03
2925 x 600 x 900mm	Code TA.S36.04
2133 x 750 x 900mm	Code TA.S36.05
2425 x 750 x 900mm	Code TA.S36.06
2743 x 750 x 900mm	Code TA.S36.07
2743 x 900 x 900mm	Code TA.S36.08

Three bar - Heavy duty stainless steel frame	
2133 x 600 x 900mm	Code TS.S36.HD.01
2133 x 600 x 900mm	Code TS.S36.HD.02
2743 x 600 x 900mm	Code TS.S36.HD.03
2925 x 600 x 900mm	Code TS.S36.HD.04
2133 x 750 x 900mm	Code TS.S36.HD.05
2425 x 750 x 900mm	Code TS.S36.HD.06
2743 x 750 x 900mm	Code TS.S36.HD.07
2743 x 900 x 900mm	Code TS.S36.HD.08



Stainless Steel Topped Undershelf - 4 legs

Solid undershelf - Standard stainless steel frame	
600 x 600 x 900mm	Code TS.S14.RUS.01
900 x 600 x 900mm	Code TS.S14.RUS.02
1200 x 600 x 900mm	Code TS.S14.RUS.03
1427 x 600 x 900mm	Code TS.S14.RUS.04
1800 x 600 x 900mm	Code TS.S14.RUS.05
1427 x 750 x 900mm	Code TS.S14.RUS.06
1800 x 750 x 900mm	Code TS.S14.RUS.07
1800 x 900 x 900mm	Code TS.S14.RUS.08

Solid undershelf - Heavy duty stainless steel frame	
600 x 600 x 900mm	Code TS.S14.RUS.HD.01
900 x 600 x 900mm	Code TS.S14.RUS.HD.02
1200 x 600 x 900mm	Code TS.S14.RUS.HD.03
1500 x 600 x 900mm	Code TS.S14.RUS.HD.04
1800 x 600 x 900mm	Code TS.S14.RUS.HD.05
1500 x 750 x 900mm	Code TS.S14.RUS.HD.06
1800 x 750 x 900mm	Code TS.S14.RUS.HD.07
1800 x 900 x 900mm	Code TS.S14.RUS.HD.08

Solid undershelf - Standard aluminium frame	
600 x 600 x 900mm	Code TA.S14.RUS.01
900 x 600 x 900mm	Code TA.S14.RUS.02
1200 x 600 x 900mm	Code TA.S14.RUS.03
1427 x 600 x 900mm	Code TA.S14.RUS.04
1800 x 600 x 900mm	Code TA.S14.RUS.05
1427 x 750 x 900mm	Code TA.S14.RUS.06
1800 x 750 x 900mm	Code TA.S14.RUS.07
1800 x 900 x 900mm	Code TA.S14.RUS.08



Stainless Steel Topped Undershelf - 6 legs

Solid undershelf - Standard stainless steel frame	
2133 x 600 x 900mm	Code TS.S16.RUS.01
2425 x 600 x 900mm	Code TS.S16.RUS.02
2743 x 600 x 900mm	Code TS.S16.RUS.03
2925 x 600 x 900mm	Code TS.S16.RUS.04
2133 x 750 x 900mm	Code TS.S16.RUS.05
2425 x 750 x 900mm	Code TS.S16.RUS.06
2743 x 750 x 900mm	Code TS.S16.RUS.07
2743 x 900 x 900mm	Code TS.S16.RUS.08

Solid undershelf - Heavy duty stainless steel frame	
2133 x 600 x 900mm	Code TS.S16.RUS.HD.01
2133 x 600 x 900mm	Code TS.S16.RUS.HD.02
2743 x 600 x 900mm	Code TS.S16.RUS.HD.03
2925 x 600 x 900mm	Code TS.S16.RUS.HD.04
2133 x 750 x 900mm	Code TS.S16.RUS.HD.05
2425 x 750 x 900mm	Code TS.S16.RUS.HD.06
2743 x 750 x 900mm	Code TS.S16.RUS.HD.07
2743 x 900 x 900mm	Code TS.S16.RUS.HD.08

Solid undershelf - Standard aluminium frame	
2133 x 600 x 900mm	Code TA.S16.RUS.01
2425 x 600 x 900mm	Code TA.S16.RUS.02
2743 x 600 x 900mm	Code TA.S16.RUS.03
2925 x 600 x 900mm	Code TA.S16.RUS.04
2133 x 750 x 900mm	Code TA.S16.RUS.05
2425 x 750 x 900mm	Code TA.S16.RUS.06
2743 x 750 x 900mm	Code TA.S16.RUS.07
2743 x 900 x 900mm	Code TA.S16.RUS.08

We Specialise in Bespoke

Give us a call on +44(0)1543 675 800



Ingredient Table

Code **IT.001.01**

- 304 grade stainless steel top
- Stainless steel or aluminium frame
- Single bar, multi bar or solid shelf
- Static or mobile
- Fully welded frame
- Option of removable top
- Variety of box section and top specifications
- 6 legged version available
- Up to 3900mm long
- Additional support for gastronorm containers
- Additional over shelves also available



Canteen Table

Code **CT.001.01**

- Frame and top 304 grade stainless steel
- Robust and easy to clean
- Variety of seat colours available
- Spare seats also available

Stainless Steel Tables

Combi Table with optional Knife Holder

- Combinations of maple, poly and stainless steel available
- Stainless steel or aluminium frame
- Frames fully welded
- Option of single bar, multi bar or undershelf
- Variety of sizes available



Draining Table

- 304 grade stainless steel top
- Centre Drain
- Stainless steel or Aluminium frame
- Single bar, multi bar or solid undershelf
- Static or Mobile

Draining Table Single Bar

Standard stainless steel frame

600 x 600 x 900mm	Code DT.S14.01
900 x 600 x 900mm	Code DT.S14.02
1200 x 600 x 900mm	Code DT.S14.03
1500 x 600 x 900mm	Code DT.S14.04
1800 x 600 x 900mm	Code DT.S14.05
1500 x 750 x 900mm	Code DT.S14.06
1800 x 750 x 900mm	Code DT.S14.07
1800 x 900 x 900mm	Code DT.S14.08

Standard aluminium frame

600 x 600 x 900mm	Code DT.A14.01
900 x 600 x 900mm	Code DT.A14.02
1200 x 600 x 900mm	Code DT.A14.03
1500 x 600 x 900mm	Code DT.A14.04
1800 x 600 x 900mm	Code DT.A14.05
1500 x 750 x 900mm	Code DT.A14.06
1800 x 750 x 900mm	Code DT.A14.07
1800 x 900 x 900mm	Code DT.A14.08

Draining Table Three Bar

Standard stainless steel frame

600 x 600 x 900mm	Code DT.S34.01
900 x 600 x 900mm	Code DT.S34.02
1200 x 600 x 900mm	Code DT.S34.03
1500 x 600 x 900mm	Code DT.S34.04
1800 x 600 x 900mm	Code DT.S34.05
1500 x 750 x 900mm	Code DT.S34.06
1800 x 750 x 900mm	Code DT.S34.07
1800 x 900 x 900mm	Code DT.S34.08

Standard aluminium frame

600 x 600 x 900mm	Code DT.A34.01
900 x 600 x 900mm	Code DT.A34.02
1200 x 600 x 900mm	Code DT.A34.03
1500 x 600 x 900mm	Code DT.A34.04
1800 x 600 x 900mm	Code DT.A34.05
1500 x 750 x 900mm	Code DT.A34.06
1800 x 750 x 900mm	Code DT.A34.07
1800 x 900 x 900mm	Code DT.A34.08

Stainless Steel Tables

Poly Top Table

- Available in a variety of sizes, colours and thicknesses
- Stainless steel or aluminium frame
- Frames fully welded
- Single bar, 3 bar or undershelf options



Poly Top 25mm Single Bar

Standard stainless steel frame

600 x 600 x 850mm	Code PT.P14.01.25
900 x 600 x 850mm	Code PT.P14.02.25
1200 x 600 x 850mm	Code PT.P14.03.25
1500 x 600 x 850mm	Code PT.P14.04.25
1800 x 600 x 850mm	Code PT.P14.05.25

Standard aluminium frame

600 x 600 x 850mm	Code PT.A14.01.25
900 x 600 x 850mm	Code PT.A14.02.25
1200 x 600 x 850mm	Code PT.A14.03.25
1500 x 600 x 850mm	Code PT.A14.04.25
1800 x 600 x 850mm	Code PT.A14.05.25

Poly Top 50mm Single Bar

Standard stainless steel frame

600 x 600 x 850mm	Code PT.P14.01.50
900 x 600 x 850mm	Code PT.P14.02.50
1200 x 600 x 850mm	Code PT.P14.03.50
1500 x 600 x 850mm	Code PT.P14.04.50
1800 x 600 x 850mm	Code PT.P14.05.50

Standard aluminium frame

600 x 600 x 850mm	Code PT.A14.01.50
900 x 600 x 850mm	Code PT.A14.02.50
1200 x 600 x 850mm	Code PT.A14.03.50
1500 x 600 x 850mm	Code PT.A14.04.50
1800 x 600 x 850mm	Code PT.A14.05.50

Poly Top 25mm Three Bar

Standard stainless steel frame

600 x 600 x 850mm	Code PT.P34.01.25
900 x 600 x 850mm	Code PT.P34.02.25
1200 x 600 x 850mm	Code PT.P34.03.25
1500 x 600 x 850mm	Code PT.P34.04.25
1800 x 600 x 850mm	Code PT.P34.05.25

Standard aluminium frame

600 x 600 x 850mm	Code PT.A34.01.25
900 x 600 x 850mm	Code PT.A34.02.25
1200 x 600 x 850mm	Code PT.A34.03.25
1500 x 600 x 850mm	Code PT.A34.04.25
1800 x 600 x 850mm	Code PT.A34.05.25

Poly Top 50mm Three Bar

Standard stainless steel frame

600 x 600 x 850mm	Code PT.P34.01.50
900 x 600 x 850mm	Code PT.P34.02.50
1200 x 600 x 850mm	Code PT.P34.03.50
1500 x 600 x 850mm	Code PT.P34.04.50
1800 x 600 x 850mm	Code PT.P34.05.50

Standard aluminium frame

600 x 600 x 850mm	Code PT.A34.01.50
900 x 600 x 850mm	Code PT.A34.02.50
1200 x 600 x 850mm	Code PT.A34.03.50
1500 x 600 x 850mm	Code PT.A34.04.50
1800 x 600 x 850mm	Code PT.A34.05.50

Poly Top 25mm Solid Undershelf

Standard stainless steel frame

600 x 600 x 850mm	Code PT.P14.RUS.01.25
900 x 600 x 850mm	Code PT.P14.RUS.02.25
1200 x 600 x 850mm	Code PT.P14.RUS.03.25
1500 x 600 x 850mm	Code PT.P14.RUS.04.25
1800 x 600 x 850mm	Code PT.P14.RUS.05.25

Standard aluminium frame

600 x 600 x 850mm	Code PT.A14.RUS.01.25
900 x 600 x 850mm	Code PT.A14.RUS.02.25
1200 x 600 x 850mm	Code PT.A14.RUS.03.25
1500 x 600 x 850mm	Code PT.A14.RUS.04.25
1800 x 600 x 850mm	Code PT.A14.RUS.05.25

Poly Top 50mm Solid Undershelf

Standard stainless steel frame

600 x 600 x 850mm	Code PT.P14.RUS.01.50
900 x 600 x 850mm	Code PT.P14.RUS.02.50
1200 x 600 x 850mm	Code PT.P14.RUS.03.50
1500 x 600 x 850mm	Code PT.P14.RUS.04.50
1800 x 600 x 850mm	Code PT.P14.RUS.05.50

Standard aluminium frame

600 x 600 x 850mm	Code PT.A14.RUS.01.50
900 x 600 x 850mm	Code PT.A14.RUS.02.50
1200 x 600 x 850mm	Code PT.A14.RUS.03.50
1500 x 600 x 850mm	Code PT.A14.RUS.04.50
1800 x 600 x 850mm	Code PT.A14.RUS.05.50

We Specialise in Bespoke

Big or Small, we do them all

Give us a call on +44(0)1543 675 800

Hygiene Sinks



Knee Operated Sink

1 man	465 x 400mm	Code KS.001.01
2 man	800 x 400mm	Code KS.001.02
3 man	1200 x 400mm	Code KS.001.03
4 man	1600 x 400mm	Code KS.001.04
5 man	2000 x 400mm	Code KS.001.05
6 man	2400 x 400mm	Code KS.001.06
7 man	2800 x 400mm	Code KS.001.07
8 man	3200 x 400mm	Code KS.001.08
9 man	3600 x 400mm	Code KS.001.09
10 man	4000 x 400mm	Code KS.001.10

- High back and fully skirted options available



Battery/Main Sensor Operated Sink

1 man	465 x 400mm	Code SS.001.01
2 man	800 x 400mm	Code SS.001.02
3 man	1200 x 400mm	Code SS.001.03
4 man	1600 x 400mm	Code SS.001.04
5 man	2000 x 400mm	Code SS.001.05
6 man	2400 x 400mm	Code SS.001.06
7 man	2800 x 400mm	Code SS.001.07
8 man	3200 x 400mm	Code SS.001.08
9 man	3600 x 400mm	Code SS.001.09
10 man	4000 x 400mm	Code SS.001.10

- High back and fully skirted options available



Sensor Heater Sink

1 man	790 x 405mm	Code SS.H01.01
2 man	800 x 405mm	Code SS.H01.02
3 man	1200 x 405mm	Code SS.H01.03
4 man	1600 x 405mm	Code SS.H01.04
5 man	2000 x 405mm	Code SS.H01.05
6 man	2400 x 405mm	Code SS.H01.06
7 man	2800 x 405mm	Code SS.H01.07
8 man	3200 x 405mm	Code SS.H01.08
9 man	3600 x 405mm	Code SS.H01.09
10 man	4000 x 405mm	Code SS.H01.10

Rotary Handwash Sink

Hexagonal 6 user knee operated 1000mm	Code RHS.001.01
Hexagonal 6 user sensor operated 1000mm	Code RHS.001.02
Octagonal 8 user knee operated 1200mm	Code RHS.001.03
Octagonal 8 user sensor operated 1200mm	Code RHS.001.04

Optional Extras/Spares

- Knee valve - Code **KV.001.01**
- Pedestal stand - Code **KS.001.PS**
- S/S soap dispenser - Code **SD.001.01**
- Mixer valve - Code **MV.001.01**
- Replacement sensor kit - Code **SK.001.01**
- Cotswold Heater - Code **CH.001.01**



Knee Operated Heater Sink

With 3kw water heater internal wired, fully shrouded and chamfered base. 500mm wide.



Knee Valve



Mixer Valve



Sensor Kit



Cotswold Heater



Soap Dispenser

Hygiene Sinks, Drinking Fountains & Dispensers



Abattoir Sink with optional steriliser

- Available with integral steriliser
- Centrally drained bowl
- Sloping base
- Knee operated



Corner Wash Basin

365 x 365 x 105 Code **CWB.000.01**



Compact Wash Basin

400 x 350 x 105 Code **CS.000.01**

Wall Mounted Drinking Fountain

- Wall mounted drinking fountain with smooth radiused design and top incorporating rear splashback.
- Available in two designs with either integral wall mounting brackets or half height undershroud to conceal supply and waste pipework.
- Supplied as standard with chrome plated shielded bubbler with self closing push button valve, water inlet fitting to suit 15 mm dia pipework and 1 1/4" BSP unslotted flush grated waste fitting.

Integral wall brackets Code **461**

Integral half height undershroud Code **462**



Multi Purpose Dispensers

- 304 Grade Stainless Steel
- Hinged lid
- Vision slot
- Lip to front



Single

300 x 200 x 400mm
Code **MPD.01.01**

Double

600 x 200 x 400mm
Code **MPD.01.02**

Triple

900 x 200 x 400mm
Code **MPD.01.03**

Centre Pull Roll Holder

- Stainless Steel body
 - 200 x 215 x 370mm high
- Code **CPRH.01.00**



Glove Dispensers

- 304 Grade Stainless Steel



Single

Code **GDS.01.01**



Double

Code **GDD.01.01**



Triple

Code **GDT.01.01**



Soap Dispenser

Code **SD.01.00**

Sterilisers & Utility Sinks



Knife Sterilisers

6 knife	200mm x 125mm x 648mm	Code SU.K01.01
12 knife	380mm x 125mm x 648mm	Code SU.K01.02
20 knife	580mm x 125mm x 648mm	Code SU.K01.03

- 304 grade stainless steel
- Smooth finish
- Element with integral thermostat
- Removable knife cradle
- Optional drop on lid

Lids

Drop on lid for 6 knife steriliser	Code SL.001
Drop on lid for 12 knife steriliser	Code SL.002
Drop on lid for 20 knife steriliser	Code SL.003



Chest Sterilisers

- 304 or 316 grade construction.
- Removable inserts to suit your application.
- Robust and hygienic construction.
- Electrical panel with temperature control.
- Size to suit your application.



Spares

Spare element for knife steriliser, 6 knife	Code SL.004
Spare element for knife steriliser, 12 knife	Code SL.005
Spare element for knife steriliser, 20 knife	Code SL.006
Spare thermostat for knife steriliser	Code SL.007

Catering Sinks



Single Bowl

	Single bar	Three bar	Solid Shelf
1000 x 600 (400 x 400 bowl)	Code CS.001.01	CST.001.01	CSS.001.01
1200 x 600 (500 x 400 bowl)	Code CS.001.02	CST.001.02	CSS.001.02
1500 x 600 (500 x 400 bowl)	Code CS.001.03	CST.001.03	CSS.001.03
740 x 650 (610 x 457 bowl)	Code CS.001.05	CST.001.05	CSS.001.05
1200 x 650 (610 x 457 bowl)	Code CS.001.06	CST.001.06	CSS.001.06
1500 x 650 (610 x 457 bowl)	Code CS.001.07	CST.001.07	CSS.001.07
1800 x 650 (610 x 457 bowl)	Code CS.001.08	CST.001.08	CSS.001.08
1200 x 700 (610 x 457 bowl)	Code CS.001.12	CST.001.12	CSS.001.12
1500 x 700 (610 x 457 bowl)	Code CS.001.13	CST.001.13	CSS.001.13
1800 x 700 (610 x 457 bowl)	Code CS.001.14	CST.001.14	CSS.001.14

We Specialise in Bespoke

Give us a call on
+44 (0)1543 675800



Belfast Sink

High Back 350mm	
Bowl Depth - 450mm	
910 x 750 x 850mm	Code BS.001.350
1160 x 750 x 850mm	Code BS.002.350
1410 x 750 x 850mm	Code BS.003.350
1910 x 750 x 850mm	Code BS.004.350
Bowl Depth - 600mm	
910 x 750 x 850mm	Code BS.001.351
1160 x 750 x 850mm	Code BS.002.351
1410 x 750 x 850mm	Code BS.003.351
1910 x 750 x 850mm	Code BS.004.351

Double Bowl Belfast Sink

High Back 350mm	
Bowl Depth - 450mm	
1410 x 750 x 850mm	Code BSD.001.450
1910 x 750 x 850mm	Code BSD.002.450
Bowl Depth - 600mm	
1410 x 750 x 850mm	Code BSD.001.600
1910 x 750 x 850mm	Code BSD.002.600

Extras for Belfast Sink

- Centre dividing plate c/w extra outlet
- Drainer to LHS or RHS of Belfast Sink
- Removable small bowl to be located in Belfast Sink



Combi Bucket Sink

1000 x 1030 x 550mm
Complete with swivel mixer tap
Code **USC.001.01**



Bucket Sink

1145 x 520 x 505mm	
Single tap	Code US.001.01
Twin tap	Code US.001.02

See page 58 for tap selection



Double Bowl

	Single bar	Three bar	Solid Shelf
1500 x 600 (400 x 400 double bowl)	Code CS.001.04	CST.001.04	CSS.001.04
1800 x 650 (610 x 457 double bowl)	Code CS.001.09	CST.001.09	CSS.001.09
2400 X 650 (610 x 457 double bowl)	Code CS.001.10	CST.001.10	CSS.001.10
3000 x 650 (610 x 457 double bowl)	Code CS.001.11	CST.001.11	CSS.001.11
1800 x 700 (610 x 457 double bowl)	Code CS.001.15	CST.001.15	CSS.001.15
2400 x 700 (610 x 457 double bowl)	Code CS.001.16	CST.001.16	CSS.001.16

**Other Bowl sizes available
Contact us for more info**

For Taps and Accessories see page 58

Pot Racks



Pot Racks - Four Legs

Aluminium 38 x 38mm RHS 450mm w 1530mm h 4 shelf

610mm long	Code PR.001.01
914mm long	Code PR.001.02
1219mm long	Code PR.001.03
1524mm long	Code PR.001.04
1829mm long	Code PR.001.05

Aluminium 38 x 38mm RHS 600mm w 1530mm h 4 shelf

610mm long	Code PR.002.01
914mm long	Code PR.002.02
1219mm long	Code PR.002.03
1524mm long	Code PR.002.04
1829mm long	Code PR.002.05

Stainless steel 30 x 30mm RHS 450mm w 1530mm h 4 shelf

610mm long	Code PR.003.01
914mm long	Code PR.003.02
1219mm long	Code PR.003.03
1524mm long	Code PR.003.04
1829mm long	Code PR.003.05

Stainless steel 30 x 30mm RHS 600mm w 1530mm h 4 shelf

610mm long	Code PR.004.01
914mm long	Code PR.004.02
1219mm long	Code PR.004.03
1524mm long	Code PR.004.04
1829mm long	Code PR.004.05



Pot Racks - Six Legs

Aluminium 38 x 38mm RHS 450mm w 1530mm h 4 shelf

1829mm long	Code PR.A61.01
2134mm long	Code PR.A61.02
2438mm long	Code PR.A61.03
2743mm long	Code PR.A61.04
3048mm long	Code PR.A61.05

Aluminium 38 x 38mm RHS 600mm w 1530mm h 4 shelf

1829mm long	Code PR.A61.06
2134mm long	Code PR.A61.07
2438mm long	Code PR.A61.08
2743mm long	Code PR.A61.09
3048mm long	Code PR.A61.10

Stainless steel 30 x 30mm RHS 450mm w 1530mm h 4 shelf

1829mm long	Code PR.S61.01
2134mm long	Code PR.S61.02
2438mm long	Code PR.S61.03
2743mm long	Code PR.S61.04
3048mm long	Code PR.S61.05

Stainless steel 30 x 30mm RHS 600mm w 1530mm h 4 shelf

1829mm long	Code PR.S61.06
2134mm long	Code PR.S61.07
2438mm long	Code PR.S61.08
2743mm long	Code PR.S61.09
3048mm long	Code PR.S61.10

Mobile Versions Available

Static Reel Holder

304 grade stainless steel construction
Static on adjustable feet
Pitch between prongs 316.3mm horizontal, 260mm vertical

Options:

- Mobile on castors
- 316 grade stainless steel

15 reels – 698mm wide x 600mm deep x 1555mm high

Code **RH.001.01**

20 reels – 1014mm wide x 600mm deep x 1555mm high

Code **RH.001.02**

25 reels – 1330mm wide x 600mm deep x 1555mm high

Code **RH.001.03**

Adjustable Racking



Adjustable Racking

- 304 grade stainless steel
- Leg sets and shelves available separately
- Infinite combinations to suit your requirements
- Legs and shelves manufactured to your requirements
- Shelves can be solid or perforated

1 Bay 4 Shelves

(length x width)	4 Solid Shelves	4 Perforated Shelves
960 x 600mm	Code ARS.001.01	ARP.001.01
1200 x 600mm	Code ARS.001.02	ARP.001.02
1460 x 600mm	Code ARS.001.03	ARP.001.03

2 Bay 8 Shelves

(length x width)	8 Solid Shelves	8 Perforated Shelves
1920 x 1200mm	Code ARS.002.01	ARP.002.01
2400 x 1200mm	Code ARS.002.02	ARP.002.02
2920 x 1200mm	Code ARS.002.03	ARP.002.03

3 Bay 12 Shelves

(length x width)	12 Solid Shelves	12 Perforated Shelves
2880 x 1800mm	Code ARS.003.01	ARP.003.01
3600 x 1800mm	Code ARS.003.02	ARP.003.02
2380 x 1800mm	Code ARS.003.03	ARP.003.03



Wall Shelf 1 Tier

Single solid sheet shelf with mounting brackets 300mm wide

400mm long	Code WS.ST.00.01
600mm long	Code WS.ST.00.02
900mm long	Code WS.ST.00.03
1200mm long	Code WS.ST.00.04
1500mm long	Code WS.ST.00.05
1800mm long	Code WS.ST.00.06

Single solid sheet shelf with mounting brackets 400mm wide

400mm long	Code WS.ST.00.07
600mm long	Code WS.ST.00.08
900mm long	Code WS.ST.00.09
1200mm long	Code WS.ST.00.10
1500mm long	Code WS.ST.00.11
1800mm long	Code WS.ST.00.12

Wall Shelf 2 Tier

2 tier solid sheet shelf with mounting brackets 300mm wide

400mm long	Code WS.ST.02.01
600mm long	Code WS.ST.02.02
900mm long	Code WS.ST.02.03
1200mm long	Code WS.ST.02.04
1500mm long	Code WS.ST.02.05
1800mm long	Code WS.ST.02.06

2 tier solid sheet shelf with mounting brackets 400mm wide

400mm long	Code WS.ST.02.07
600mm long	Code WS.ST.02.08
900mm long	Code WS.ST.02.09
1200mm long	Code WS.ST.02.10
1500mm long	Code WS.ST.02.11
1800mm long	Code WS.ST.02.12

Wall Shelf 3 Tier

3 tier solid sheet shelf with mounting brackets 300mm wide

400mm long	Code WS.ST.03.01
600mm long	Code WS.ST.03.02
900mm long	Code WS.ST.03.03
1200mm long	Code WS.ST.03.04
1500mm long	Code WS.ST.03.05
1800mm long	Code WS.ST.03.06

3 tier solid sheet shelf with mounting brackets 400mm wide

400mm long	Code WS.ST.03.07
600mm long	Code WS.ST.03.08
900mm long	Code WS.ST.03.09
1200mm long	Code WS.ST.03.10
1500mm long	Code WS.ST.03.11
1800mm long	Code WS.ST.03.12



Angled Display Shelves with mesh grids

600mm long 1 display basket	Code DU.MG1.01
800mm long 2 display baskets	Code DU.MG1.02
1200mm long 3 display baskets	Code DU.MG1.03
1600mm long 4 display baskets	Code DU.MG1.04

Racks

Bacon Freezer Rack

- For the efficient freezing of raw/cooked product within a high risk environment
- Tubular ringed shelves allow maximum airflow and minimum contact
- Easy to manoeuvre, even when fully loaded
- Available in a variety of shelf clearances

Pallet Base

3 shelf and base	Code PB.001.03
4 shelf and base	Code PB.001.04
5 shelf and base	Code PB.001.05
6 shelf and base	Code PB.001.06
7 shelf and base	Code PB.001.07
8 shelf and base	Code PB.001.08

Roller Bogie Base

3 shelf and base	Code RBB.001.03
4 shelf and base	Code RBB.001.04
5 shelf and base	Code RBB.001.05
6 shelf and base	Code RBB.001.06
7 shelf and base	Code RBB.001.07
8 shelf and base	Code RBB.001.08

Swivel or Fixed Castor Base

3 shelf and base	Code CB.001.03
4 shelf and base	Code CB.001.04
5 shelf and base	Code CB.001.05
6 shelf and base	Code CB.001.06
7 shelf and base	Code CB.001.07
8 shelf and base	Code CB.001.08

Offal Rack

Aluminium 3 Level 52 Hooks	Code ORA.001.01
Stainless Steel 3 Level 52 Hooks	Code ORS.001.01
Aluminium 4 Level 68 Hooks	Code ORA.001.02
Stainless Steel 4 Level 68 Hooks	Code ORS.001.02

- Designed for the storage of raw offal.
- "A" frame design and staggered double hooks ensures optimum utilisation of space.
- Hygienic fully welded construction – ideal for steam cleaning.
- Easy to manoeuvre, even when fully loaded.
- Other sizes are available

Options

Removable drip tray for quick and easy cleaning.

TECHNICAL SPECIFICATIONS

Aluminium or stainless steel.
Double Hooks
Robust construction.
3/4 hanging levels.
Roller bogie base including nylon wheels.
10mm Ø hook aluminium.
8mm Ø hook stainless steel.



Bakery Display Rack Single

Single 810l x 475w x 1220h Code **DU.RS1.01**

- Optional sloping or straight display shelves
- Manufactured from 304 grade stainless steel
- Mobile
- Horizontal or angled baskets
- Crumb catchment tray beneath

Bakery Display Rack Double and Triple

Double 1620l x 475w x 1220h Code **DU.RS1.02**
Triple 2430l x 475w x 1220h Code **DU.RS1.03**

- Optional sloping or straight display shelves
- Made from 304 grade stainless steel
- Mobile
- Angled or sloping baskets
- Crumb catchment tray beneath

Catering Trolleys

Catering Trolleys

- 304 grade stainless steel.
- Tubular frame.

General Purpose Trolleys

2 Shelves	700 x 500 x 950	Code SW6 X 4-2
3 Shelves	700 x 500 x 950	Code SW6 X 4-3
2 Shelves	900 x 600 x 950	Code SW8 X 5-2
3 Shelves	900 x 600 x 950	Code SW8 X 5-3
4 Shelves	900 x 600 x 1290	Code SW8 X 5-4
5 Shelves	900 x 600 x 1290	Code SW8 X 5-5
2 Shelves	1000 x 650 x 950	Code SW9 X 6-2
3 Shelves	1000 x 650 x 950	Code SW9 X 6-3
4 Shelves	1000 x 650 x 1290	Code SW9 X 6-4
2 Shelves	1100 x 700 x 1000	Code SW10 X 6-2
3 Shelves	1100 x 700 x 1000	Code SW10 X 6-3
4 Shelves	1100 x 700 x 1350	Code SW10 X 6-5
5 Shelves	1100 x 700 x 1350	Code SW10 X 6-5



Oven Rack

- 304 or 316 grade stainless steel
- Fully welded construction
- Roller bogie or swivel castor options
- Size and levels to suit your application
- Designed for high temperature cooking

Smoking Racks

- 304 or 316 grade stainless steel
- Fully welded construction
- Roller bogie or swivel castor options
- Size and levels to suit your application

We also supply stainless steel and aluminium smoking sticks



Bespoke Racks

- Stainless steel, Aluminium or Mild steel
- Variety of runner options
- Extensive range of castors and wheels
- Solid tops and bases available
- Locking gates
- Wire mesh or sheet cladding

Heavy Duty Trolley and Trays

- Made from 304 grade stainless steel
- Typically used for rice/product cooling
- Manufactured from 40mm x 40mm box section
- Complete with 2 fixed and 2 swivel 4" white nylon wheels with stainless steel housings
- 20mm x 20mm box section internal rear stop bar
- Heavy duty design, open top and bottom
- Overall dimensions 800mm x 550mm x 1800mm
- Heavy duty stainless steel trays size 760mm x 455mm x 75mm also available



Gastronorm and Bakery Trolleys

Trolleys



Gastronorm Trolley with Zinc Swivel Wheels

- Supplied with zinc housed 4" white nylon wheels.
- Made from 304 stainless steel.
- Designed for gastronorm trays up to a maximum capacity of 15kg per level.
- Ideal for storage, chilling, drainage or cooking applications.
- Runners are designed to support trays with their rims without scarring.
- Highly manoeuvrable under loaded conditions.
- Unitech offer an extensive range of gastronorm trays to suit all applications.

600 x 700 x 1795 (L x W x H)

- 10 LEVEL Code **TR.WO.01**
- 12 LEVEL Code **TR.WO.02**
- 14 LEVEL Code **TR.WO.03**
- 15 LEVEL Code **TR.WO.04**
- 16 LEVEL Code **TR.WO.05**
- 18 LEVEL Code **TR.WO.06**
- 20 LEVEL Code **TR.WO.07**
- 22 LEVEL Code **TR.WO.08**

Options

- Lift up gate to front round bar or box section
- Solid top
- Solid base
- Stainless housings
- Phenolic zinc
- Phenolic stainless
- Rubber wheel zinc
- Rubber wheel S/S
- Back Stop
- Runner Styles



Bakery Trolley

- Highly manoeuvrable under loaded conditions.
- Suitable for storage display and cooling of bakery products, baking and cooking.
- Unitech offer an extensive range of bakery trays to suit all applications.

TECHNICAL SPECIFICATIONS

- Made from 304 stainless steel.
- 12/16/18/20 levels.
- 762mm x 457mm trays.
- 25mm wide runners on various pitches.
- Tray access from either end.
- Swivel castors

Options

- Lift up gate to front round bar or box section
- Solid top
- Solid base
- Stainless housings
- Phenolic zinc

- Phenolic stainless
- Rubber wheel zinc
- Rubber wheel S/S
- Back Stop
- Runner Styles



A Wide Variety Of Wheels and Castors are also available

- "Eco" Stainless Steel Bakery Trolley
- 12 LEVEL Code **BB.TR.03**
 - 16 LEVEL Code **BB.TR.04**
 - 18 LEVEL Code **BB.TR.05**
 - 20 LEVEL Code **BB.TR.06**

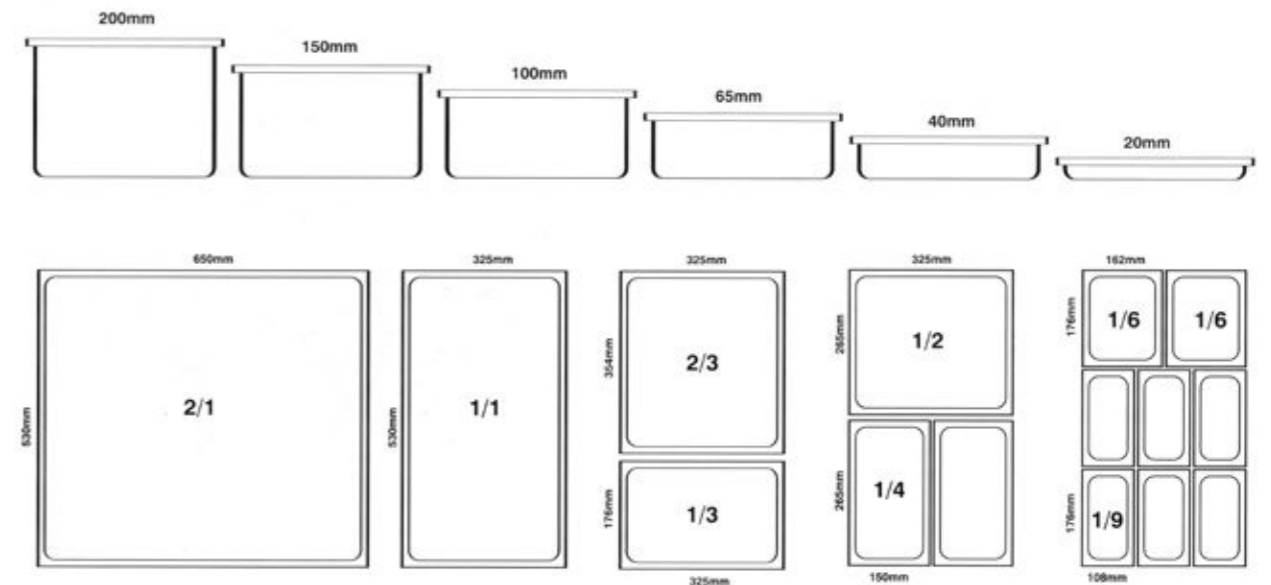
- "Brut" Heavy Duty Bakery Trolley
- 12 LEVEL Code **BB.TR.07**
 - 16 LEVEL Code **BB.TR.08**
 - 18 LEVEL Code **BB.TR.09**
 - 20 LEVEL Code **BB.TR.10**

Gastronorm Tray Range

Gastronorm Tray Ranges

- Used extensively in the food and catering industries for applications of cooking, chilling and serving.
- Robust and lightweight and manufactured to a hygienic design that ensures ease of cleaning.
- Wide range of sizes and depths available to meet customer requirements. Various types of handles, lids and available with perforated bases.
- Trays nest when empty for ease of storage.

For ease of ordering please give page number **tray size**, **tray depth** and **tray type** required.



Trays



We also manufacture a wide variety of trays to suit your application

Trays

Lockable Welly Racks

Lockable Stainless Steel Welly Racks

- Ideal for storage.
- Wide variety of specifications.
- Wall mounted, mobile and double sided.

Wall Mounted Welly Racks

10 PAIR	600mm x 520mm x 1670mm	Code WR.WS1.10L
15 PAIR	600mm x 765mm x 1670mm	Code WR.WS1.15L
20 PAIR	600mm x 1010mm x 1670mm	Code WR.WS1.20L
25 PAIR	600mm x 1255mm x 1670mm	Code WR.WS1.25L
30 PAIR	600mm x 1500mm x 1670mm	Code WR.WS1.30L

Static Lockable Welly Racks (Single Sided)

10 PAIR	600mm x 520mm x 1670mm	Code WR.SS1.10L
15 PAIR	600mm x 765mm x 1670mm	Code WR.SS1.15L
20 PAIR	600mm x 1010mm x 1670mm	Code WR.SS1.20L
25 PAIR	600mm x 1255mm x 1670mm	Code WR.SS1.25L
30 PAIR	600mm x 1500mm x 1670mm	Code WR.SS1.30L

Static Lockable Welly Racks (Double Sided)

10 PAIR	600mm x 520mm x 1670mm	Code WR.SS1.D10L
15 PAIR	600mm x 765mm x 1670mm	Code WR.SS1.D15L
20 PAIR	600mm x 1010mm x 1670mm	Code WR.SS1.D20L
25 PAIR	600mm x 1255mm x 1670mm	Code WR.SS1.D25L
30 PAIR	600mm x 1500mm x 1670mm	Code WR.SS1.D30L

Mobile Lockable Welly Racks (Single Sided)

10 PAIR	600mm x 520mm x 1670mm	Code WR.MS1.10L
15 PAIR	600mm x 765mm x 1670mm	Code WR.MS1.15L
20 PAIR	600mm x 1010mm x 1670mm	Code WR.MS1.20L
25 PAIR	600mm x 1255mm x 1670mm	Code WR.MS1.25L
30 PAIR	600mm x 1500mm x 1670mm	Code WR.MS1.30L

Mobile Lockable Welly Racks (Double Sided)

10 PAIR	600mm x 520mm x 1670mm	Code WR.MS1.D10L
15 PAIR	600mm x 765mm x 1670mm	Code WR.MS1.D15L
20 PAIR	600mm x 1010mm x 1670mm	Code WR.MS1.D20L
25 PAIR	600mm x 1255mm x 1670mm	Code WR.MS1.D25L
30 PAIR	600mm x 1500mm x 1670mm	Code WR.MS1.D30L



Heated Boot Dryers

Heated Boot Dryer

- Manufactured from 304 grade stainless steel
- Mains powered to blow warm air into boots
- Available as 20 pair or 30 pair units
- 230v, single phase, 50Hz
- 1700mm high x 600mm deep.
- 20 pair 1002mm wide. Code **HBD.00.01.**
- 30 pair 1426mm wide. Code **HBD.00.02.**



Welly Racks

Aluminium & Stainless Steel Welly Racks

- Ideal for storage.
- Wide variety of specifications.
- Wall mounted, mobile and double sided.
- Welly rack frame - made from box section aluminium or stainless steel.
- Fully welded at all joints for hygiene complete with individual plastic end caps



Wall Mounted Welly Racks

		Aluminium	Stainless Steel
10 PAIR	310mm x 426mm x 1330mm	Code WR.WA1.10	Code WR.WS1.10
15 PAIR	310mm x 640mm x 1330mm	Code WR.WA1.15	Code WR.WS1.15
20 PAIR	310mm x 853mm x 1330mm	Code WR.WA1.20	Code WR.WS1.20
25 PAIR	310mm x 1067mm x 1330mm	Code WR.WA1.25	Code WR.WS1.25
30 PAIR	310mm x 1280mm x 1330mm	Code WR.WA1.30	Code WR.WS1.30

Mobile Single Sided Welly Racks

		Aluminium	Stainless Steel
10 PAIR	600mm x 426mm x 1668mm	Code WR.MA1.10	Code WR.MS1.10
15 PAIR	600mm x 640mm x 1668mm	Code WR.MA1.15	Code WR.MS1.15
20 PAIR	600mm x 853mm x 1668mm	Code WR.MA1.20	Code WR.MS1.20
25 PAIR	600mm x 1067mm x 1668mm	Code WR.MA1.25	Code WR.MS1.25
30 PAIR	600mm x 1280mm x 1668mm	Code WR.MA1.30	Code WR.MS1.30

Mobile Double Sided Welly Racks

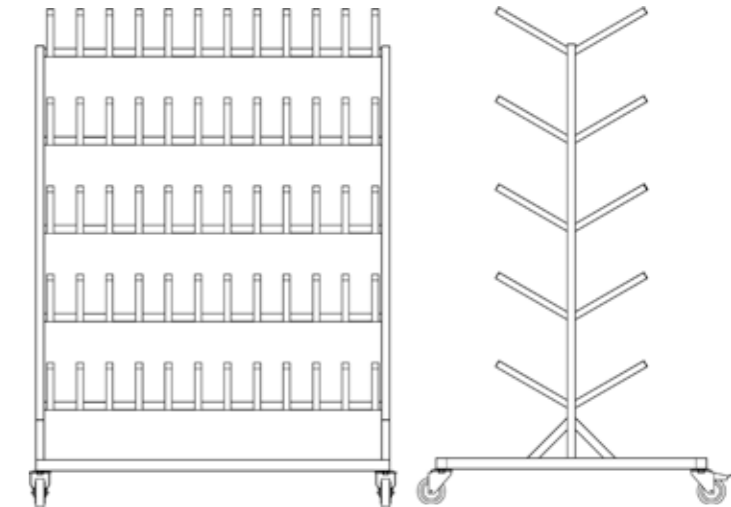
		Aluminium	Stainless Steel
10 PAIR	980mm x 426mm x 1668mm	Code WR.MA1.D10	Code WR.MS1.D10
15 PAIR	980mm x 640mm x 1668mm	Code WR.MA1.D15	Code WR.MS1.D15
20 PAIR	980mm x 853mm x 1668mm	Code WR.MA1.D20	Code WR.MS1.D20
25 PAIR	980mm x 1067mm x 1668mm	Code WR.MA1.D25	Code WR.MS1.D25
30 PAIR	980mm x 1280mm x 1668mm	Code WR.MA1.D30	Code WR.MS1.D30

Static Single Sided Welly Racks

		Aluminium	Stainless Steel
10 PAIR	600mm x 426mm x 1668mm	Code WR.SA1.10	Code WR.SS1.10
15 PAIR	600mm x 640mm x 1668mm	Code WR.SA1.15	Code WR.SS1.15
20 PAIR	600mm x 853mm x 1668mm	Code WR.SA1.20	Code WR.SS1.20
25 PAIR	600mm x 1067mm x 1668mm	Code WR.SA1.25	Code WR.SS1.25
30 PAIR	600mm x 1280mm x 1668mm	Code WR.SA1.30	Code WR.SS1.30

Static Double Sided Welly Racks

		Aluminium	Stainless Steel
10 PAIR	980mm x 426mm x 1668mm	Code WR.SA1.D10	Code WR.SS1.D10
15 PAIR	980mm x 640mm x 1668mm	Code WR.SA1.D15	Code WR.SS1.D15
20 PAIR	980mm x 853mm x 1668mm	Code WR.SA1.D20	Code WR.SS1.D20
25 PAIR	980mm x 1067mm x 1668mm	Code WR.SA1.D25	Code WR.SS1.D25
30 PAIR	980mm x 1280mm x 1668mm	Code WR.SA1.D30	Code WR.SS1.D30



Garment Dispensers



Garment Dispenser

- All are supplied with cam or hasp and staple locks
- 304 grade stainless steel
- Compartments individually lockable
- Can be louvred for air circulation
- Sloping roof option
- Master door to front or rear

S/S Garment Dispenser

Photo on right shows rear master door

10 door	400 x 405 x 1990mm	code GD.001.01
15 door	400 x 405 x 1990mm	code GD.001.02
45 door	1050 x 450 x 1990mm	code GD.001.03
45 door	972 x 450 x 1990mm	code GD.001.04



Garment Collector



Mesh or Perforated Door Lockers

Available in a variety of configurations, please call to arrange a visit or discuss your requirements.



Stainless Steel Lockers

Stainless Steel Lockers

- Manufactured from 304 stainless sheet.
- Compartments individually lockable.
- May be louvred for air circulation.
- Sloping roof.
- Variety of door arrangements.
- Optional Combination or Coin locks.
- All supplied with cam or hasp & staple locks.

1 compartment	1990 x 342 x 405	Code UL.001.01
2 compartment	1990 x 342 x 405	Code UL.001.02
3 compartment	1990 x 342 x 405	Code UL.001.03
4 compartment	1990 x 342 x 405	Code UL.001.04
2 compartment	1990 x 628 x 405	Code UL.001.05
4 compartment	1990 x 628 x 405	Code UL.001.06
6 compartment	1990 x 628 x 405	Code UL.001.07
8 compartment	1990 x 628 x 405	Code UL.001.08
3 compartment	1990 x 914 x 405	Code UL.001.09
6 compartment	1990 x 914 x 405	Code UL.001.10
9 compartment	1990 x 914 x 405	Code UL.001.11
12 compartment	1990 x 914 x 405	Code UL.001.12
4 compartment	1990 x 1200 x 405	Code UL.001.13
8 compartment	1990 x 1200 x 405	Code UL.001.14
12 compartment	1990 x 1200 x 405	Code UL.001.15
16 compartment	1990 x 1200 x 405	Code UL.001.16



Colour Coded Lockers



Colour Coded Lockers

- Mild steel painted.
- Compartments individual lockable.
- May be louvred for air circulation.
- Sloping roof optional.
- Variety of door arrangements.
- Locks available.

Lock Types



Type A - Key Type B - Hasp & Staple Type C - Combination Type C - Radial Pin Lock



Type D - Digital Combination Type E - Coin Type F - RFID

Wire Mesh Locker

Wire Mesh Locker

- Bright zinc plated
- Hasp and staple lock
- 6mm Ø outer frame
- 2.5mm Ø mesh
- 25mm x 25mm pitch
- Double and triple options available
- Various compartment options available



Locker Benches

Shoe Storage



4 Leg Single Bar Underframe Bench

920 x 400 x 450mm	Code LB.1B1.01
1170 x 400 x 450mm	Code LB.1B1.02
1420 x 400 x 450mm	Code LB.1B1.03
1920 x 400 x 450mm	Code LB.1B1.04

- 304 grade stainless steel
- Available with shoe storage beneath
- Complete with adjustable feet

4 Leg Triple Bar Underframe Bench

920 x 400 x 450mm	Code LB.1B3.01
1170 x 400 x 450mm	Code LB.1B3.02
1420 x 400 x 450mm	Code LB.1B3.03
1920 x 400 x 450mm	Code LB.1B3.04

- 304 grade stainless steel
- Available with shoe storage beneath
- Complete with adjustable feet



6 Leg Single Bar Underframe

2420 x 400 x 450mm	Code LB.1B2.01
2920 x 400 x 450mm	Code LB.1B2.02

- 304 grade stainless steel
- Available with shoe storage beneath
- Complete with adjustable feet

6 Leg Triple Bar Underframe

2420 x 400 x 450mm	Code LB.1B4.01
2920 x 400 x 450mm	Code LB.1B4.02

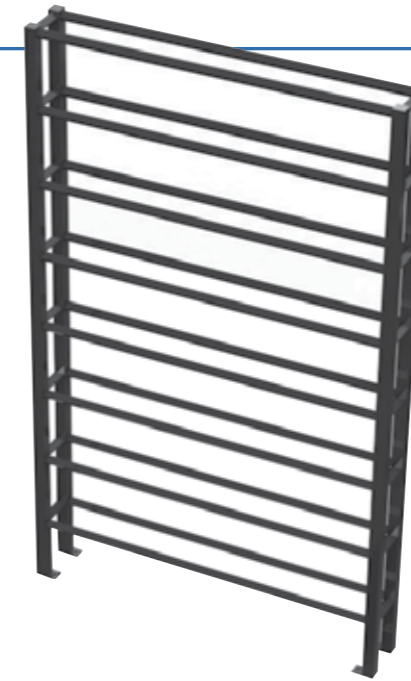
- 304 grade stainless steel
- Available with shoe storage beneath
- Complete with adjustable feet



Benches with Coat Hooks

Double Sided	1920 x 700 x 1775mm	Code LBC.001
Single Sided	1920 x 400 x 1775mm	Code LBC.002

Locker Bench with Shoe Storage



Bolt Down Box Section Rack

- Made from 304 stainless steel.
 - Fully welded.
 - Hygienic design.
 - 8 level.
- Options**
6mm Ø bar dividers

185 x 1974mm (Deep x High)

8 PAIR	364mm Long	Code SR.001.01
16 PAIR	648mm Long	Code SR.001.02
24 PAIR	932mm Long	Code SR.001.03
32 PAIR	1216mm Long	Code SR.001.04
40 PAIR	1500mm Long	Code SR.001.05



Single & Double Sided Plate Design Shoe Rack

WALL MOUNTED		STATIC SINGLE SIDED		STATIC DOUBLE SIDED	
4 PAIR	Code SR.002.01	8 PAIR	Code SR.003.01	24 PAIR	Code SR.004.01
8 PAIR	Code SR.002.02	12 PAIR	Code SR.003.02	32 PAIR	Code SR.004.02
12 PAIR	Code SR.002.03	16 PAIR	Code SR.003.03	40 PAIR	Code SR.004.03
16 PAIR	Code SR.002.04	20 PAIR	Code SR.003.04	48 PAIR	Code SR.004.04
20 PAIR	Code SR.002.05	24 PAIR	Code SR.003.05	72 PAIR	Code SR.004.05
24 PAIR	Code SR.002.06	36 PAIR	Code SR.003.06		
36 PAIR	Code SR.002.07				



Pigeon Hole Shoe Racks

- Made from 304 stainless steel.
- Sheet construction.
- Adjustable feet.
- Open front.
- Sloping top.

10 PAIR	560 x 350 x 1700mm	Code SRP.001.01
15 PAIR	840 x 350 x 1700mm	Code SRP.001.02
20 PAIR	1120 x 350 x 1700mm	Code SRP.001.03
30 PAIR	1680 x 350 x 1700mm	Code SRP.001.04



Various Lockable Solutions Available
Call for details

Coat and Protective Clothing Racks



Laser Cut Coat Hooks

	Staggered	Non Staggered
10 HOOK	Code CR.S01.01	Code CR.NS1.01
20 HOOK	Code CR.S01.03	Code CR.NS1.03

- Laser cut from 2.5mm stainless steel satin polished sheet.
- Pre-drilled for wall mounting.
- Vinyl numbers can be supplied.

Options

Electropolished
Powder coated in various colours
(red, blue, green or white).

Protective Clothing Rack with Captive Hangers

10 Hangers	Code CR.PC1.01
15 Hangers	Code CR.PC1.02
20 Hangers	Code CR.PC1.03

- 304 grade stainless steel.
- 1200 x 600 x 1600mm (long x width x height)

Mobile Version Available

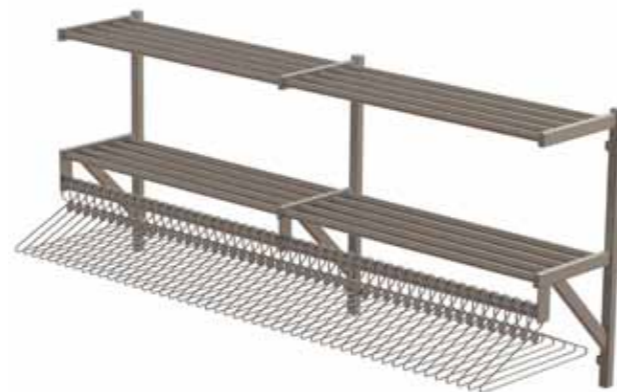


Wall Mounted Shelf & Coat Rail



Coat Rail with Single Shelf

1500mm long with 30 Hangers	Code SCR.00.01
2000mm long with 40 Hangers	Code SCR.00.02
3000mm long with 60 Hangers	Code SCR.00.03



Coat Rail with Double Shelf

1500mm long with 30 Hangers	Code SCR.00.01D
2000mm long with 40 Hangers	Code SCR.00.02D
3000mm long with 60 Hangers	Code SCR.00.03D

Bathroom Additions

Bowl Urinal

- Manufactured in one piece in 304 grade satin finish stainless steel.
- Integral shroud suits locations with exposed surface mounted waste pipework.
- Vandal resistant design.
- Integral shroud.
- Hygienic one-piece construction.
- Easily and quickly installed at adult or junior height.
- Supplied with a flush grated waste fitting, spreader assembly and water inlet connector.

Code **072**

Options

- Available as single bowl or in a range form of 1, 2 or 3 urinals.
- Range urinals supplied with automatic cistern, flushpipe and feedpipes.
- Stainless steel wall divider panel.
- Stainless steel automatic cistern.

TECHNICAL SPECIFICATIONS

Supplied with 32mm (1 1/4") BSP flush grated waste fitting.
Water inlet fitting to suit 15m diameter pipework.

Recommended mounting height – 1800mm (minimum) to 2000mm (maximum).



Manual Stainless Steel Cistern

- Manual 7.5 litre stainless steel SISO cistern for exposed surface mounting.
- Supplied with syphon, float operated valve and stainless steel flushpipe.
- Low level operated by CP front lever with restricted travel, high level has side lever with chain pull.

Code **132**

Back to Wall WC Pan

- Squating WC pan supplied with back inlet flushing terminal.
- WC pan can be used with optional high level manual stainless steel or plastic cisterns.

Code **112**



Stainless Steel WC Pans



Close Coupled WC Suite

- WC suite incorporates a 7.5 litre concealed BIBO cistern, housed within a stainless steel enclosure, operated by a CP front lever with restricted travel.
- WC pan has removable access panels, horizontal outlet and is supplied with inlet connector and concealed floor fixing plate.
- WC pan can be converted to vertical outlet using optional WCC90 connector.
- WC suite can be adapted for use by disabled people by using optional DOCM fitting kit.

Code **091**



Wall Hung WC Pan

- WC pan supplied with inlet connector and four M12 x 150mm long bolts to suit walls up to 118mm thick.
- For non-load bearing walls optional support brackets are available.

Code **101**



Back to Wall WC Pan

- With horizontal outlet.
- WC pan supplied with inlet connector, concealed floor fixing plate and four M12 x 150mm long bolts to suit walls up to 118mm thick.

Code **102**



Back to Wall WC Pan

- With vertical outlet.
- WC pan has removable access panels and is supplied with inlet connector, concealed floor fixing plate and four M12 x 150mm long bolts to suit walls up to 118mm thick.

Code **103**

Stainless Steel Urinals

Stainless Steel Urinals

- Integral return ends for either wall or free standing installations.
- 2" BSP dome grated waste fitting.
- Concealed sparge pipes with either a top (TE) or back (BE) entry connection.

Wall Hung Trough Urinal

- Sloping sides.

Standard Length	Cistern Capacity	Code
1200mm	1 x 9.0 litre	Code WHTU.001
1500mm	1 x 13.65 litre	Code WHTU.002
1800mm	1 x 13.65 litre	Code WHTU.003
2100mm	1 x 13.65 litre	Code WHTU.004
2400mm	1 x 13.65 litre	Code WHTU.005



Wall Hung Trough Urinal

- Non-standard lengths can be supplied.

Standard Length	Cistern Capacity	Code
1200mm	1 x 9.0 litre	Code WHTU.006
1800mm	1 x 13.65 litre	Code WHTU.007
2400mm	1 x 13.65 litre	Code WHTU.008
3000mm	1 x 13.65 litre	Code WHTU.009



Floor Recessed Slab Urinal

- Non-standard lengths can be supplied.

Standard Length	Cistern Capacity	Code
1200mm	1 x 9.0 litre	Code FRSU.001
1800mm	1 x 13.65 litre	Code FRSU.002
2400mm	1 x 13.65 litre	Code FRSU.003
3000mm	2 x 9.00 litre	Code FRSU.004



Floor Standing Slab Urinal

- Non-standard lengths can be supplied.

Standard Length	Cistern Capacity	Code
1200mm	1 x 9.0 litre	Code FSSU.001
1800mm	1 x 13.65 litre	Code FSSU.002
2400mm	1 x 13.65 litre	Code FSSU.003
3000mm	2 x 9.00 litre	Code FSSU.004



Automatic Cistern

Capacities	Code
4.5 litre	Code AC.001
9.0 litre	Code AC.002
13.65 litre	Code AC.003

Pedal Bins



Pedal Bin

- Manufactured in 304 grade stainless steel.
 - Foot operated pedal bin.
 - Complete with bag clamping band
- 500 x 400 x 800 (L x W x H)
Pedal bin with lid Code **PB.L01.01**

Shrouded Pedal Bin

- Manufactured in 304 grade stainless steel.
 - Foot operated pedal bin.
 - With lid.
 - Complete with bag clamping band
- 500 x 400 x 800 (L x W x H)
Shrouded pedal bin Code **BI.FT1.01**



Wall Mounted Bin Rings



Wall Mounted Bag Holders

- Ring only or wall mounted with lid.
- 350mm diameter
- Complete with bag clamping band

Wall mounted bin rings with lid Code **BH.WM1.01**
Wall mounted bin rings without lid Code **BH.WM1.02**



Wall Mounted Knee Operated Bag Holder

Bag Stands



Sprung Bag Holder

- Manufactured in 304 grade stainless steel.
- Pedestal pattern.
- Various sizes of bag can be accommodated

500 x 300 x 880 (L x W x H)
Sprung bag holder Code **BH.S01.01**

Waste Bag Holder

- Manufactured in 304 grade stainless steel.
- Free standing.
- Individual bag clamping bands
- 800mm high

Waste bag holder Code **BH.001.00**



Flip Top Bin



**We
Specialise
in Bespoke**

Give us a call on
+44(0)1543 675 800

Flip Top Bin

- 304 grade stainless steel
- Swing lid
- Removable top
- Adjustable feet
- Fully enclosed

400 x 400 x 800mm high (L x W x H) Code **BI.FT1.01**
300 x 300 x 600mm high (L x W x H) Code **BI.FT1.02**



Boot Washers

Upright 3 Brush

- The boot cleaning (side and sole) is done by the action of turning lateral and horizontal brushes and by the mixing of water and detergent.
- Access and easy cleaning of the machine by a complete opening of the front.
- Separate wet and electrical compartments.
- Dismantling without tools for easy cleaning of the brushes and the sump.
- Supplied with detergent injector for the disinfection product.

Standard Boot Washer Code **BW-M-0-3B**
 Boot Washer with Toe Cleaner Code **BW-M-0-3B-TC**

TECHNICAL SPECIFICATIONS

- Made from 304 stainless steel.
- Matt finish.
- 2 vertical brushes for cleaning the body of the boot.
- 1 horizontal brush for cleaning the sole.
- Detergent injector - regulation: between 1 and 7.5%.
- Base size: 760 x 645mm.



Clog Washer

Clog Washer

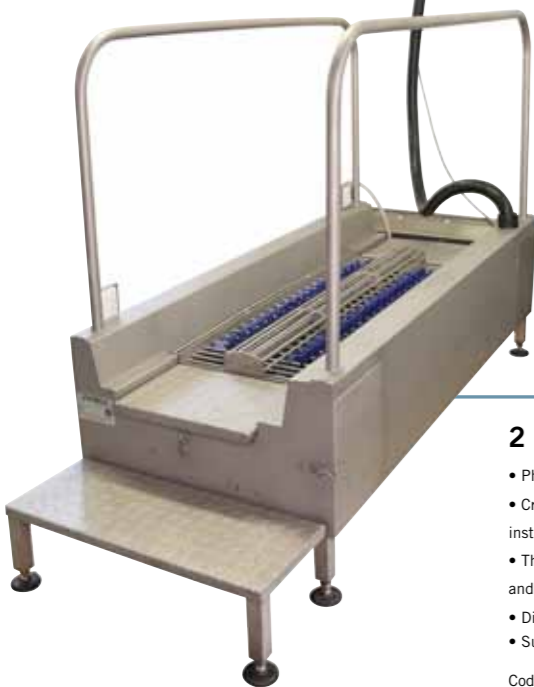
- 304 grade stainless steel
- Dismantling without tools for ease of cleaning
- Separate wet and electrical compartments
- Supplied with detergent injector
- Water supply 3 bar
- Max temperature 50°C
- Base size 755 x 640mm

Code **BW-M-0-1B**



6 Brush with Turnstile

Control panels can be built into machine or supplied with Anaconda for wall mounting



2 Way Solewasher

- Photoelectric switch at each end.
- Created for continuous passage, the machine can be installed in a place which makes its use obligatory.
- The sole cleaning is done by the action of 2 horizontal turning brushes and the mixing of water and detergent.
- Dismantling without tools for easy cleaning of the brushes and the sump.
- Supplied with detergent injector for the disinfection product.

Code **BW-A-T-2B**

Two Way Solewasher

6 Brush Bootwasher with Turnstile

- Photoelectric switch at each end.
- Created for continuous passage, the machine can be installed in a place which makes its use obligatory.
- The boot and the sole cleaning is done by the combined action of:

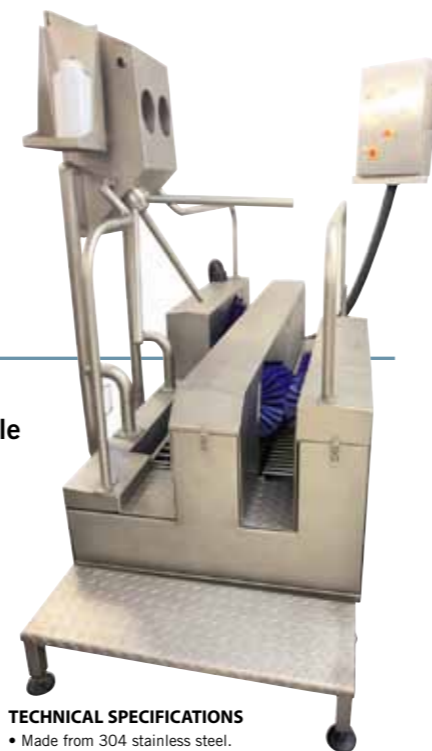
The turning lateral brushes for cleaning the side of the boot.

The turning horizontal brushes for the sole.
Water jets.

The forward movement of the user.

- Dismantling without tools for easy cleaning of the brushes and the sump.
- Separate wet and electrical compartments.
- Supplied with detergent injector for the disinfection product.

Code **BW-A-T-6B-TS**



TECHNICAL SPECIFICATIONS

- Made from 304 stainless steel.
- Matt finish.
- 4 inclined brushes for cleaning the body of the boot.
- 2 horizontal brushes for cleaning the sole of the boot.
- Detergent injector - regulation: between 1 and 7.5%.
- Base size: 2850 x 950mm.
- Removable steps.

TECHNICAL SPECIFICATIONS

- Made from 304 stainless steel.
 - Matt finish.
 - 2 horizontal brushes for cleaning the sole.
- Detergent injector - regulation: between 1 and 7.5%
 • Base size: 2540 x 840mm.

Walk Through Bootwashers

Fixed Side Brush

- Photoelectric switch at each end.
- Created for continuous passage, the machine can be installed in a place which makes its use obligatory.
- The boot and the sole cleaning is done by the combined action of:

The fixed lateral brushes for cleaning the side of the boot.

The turning horizontal brushes for the sole.

Water jets.

The forward movement of the user.

- Dismantling without tools for easy cleaning of the brushes and the sump.
- Separate wet and electrical compartments.
- Supplied with detergent injector for the disinfection product.

Standard Bootwasher Code **BW-A-T-10B**

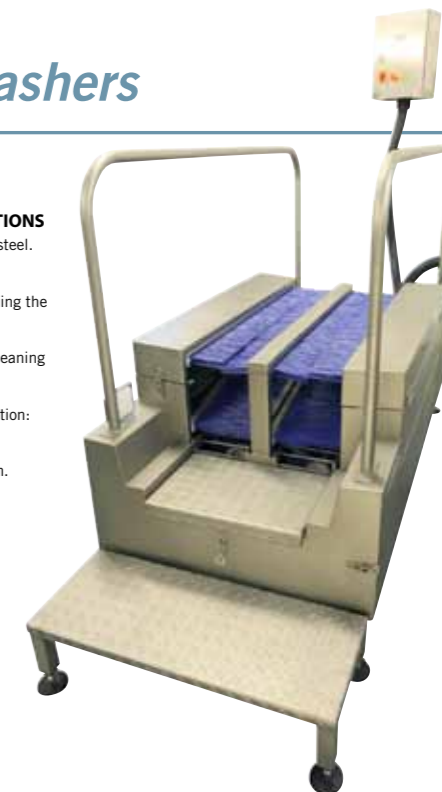
Bootwasher with Hygiene gate Code **BW-A-T-10B-TS**



Fixed Side Brush with Sanatiser Gate

TECHNICAL SPECIFICATIONS

- Made from 304 stainless steel.
- Matt finish.
- 8 lateral brushes for cleaning the body of the boot.
- 2 horizontal brushes for cleaning the sole of the boot.
- Detergent injector - regulation: between 1 and 7.5%.
- Base size: 2540 x 900mm.
- Removable steps.



6 Brush

6 Brush Bootwasher

- Photoelectric switch at each end.
- Created for continuous passage, the machine can be installed in a place which makes its use obligatory.
- The boot and the sole cleaning is done by the combined action of:

The turning lateral brushes for cleaning the side of the boot.

The turning horizontal brushes for the sole.

Water jets.

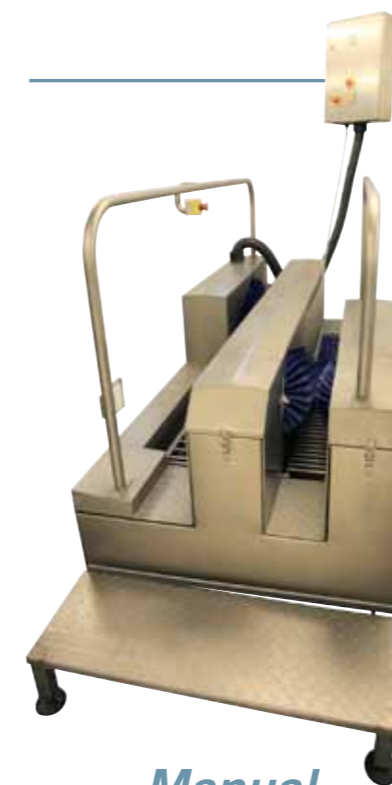
The forward movement of the user.

- Dismantling without tools for easy cleaning of the brushes and the sump.
- Separate wet and electrical compartments.
- Supplied with detergent injector for the disinfection product.

Code **BW-A-T-6B**

TECHNICAL SPECIFICATIONS

- Made from 304 stainless steel.
- Matt finish.
- 4 inclined brushes for cleaning the body of the boot.
- 2 horizontal brushes for cleaning the sole of the boot.
- Detergent injector - regulation: between 1 and 7.5%.
- Base size: 2850 x 950mm.
- Removable steps.



Manual Bootwasher

Manual Bootwasher

- Made from 304 stainless steel.
- Manual operated bootwash complete with hand-held scrubbing brush.
- Hand-operated, press button, operation.
- Sole brush available as optional extra.
- Four adjustable feet.
- Support handle to left or right (please specify when ordering).

Single Station Code **BW-M-0-1S**

Twin Station Code **BW-M-0-2S**

Triple Station Code **BW-M-0-3S**

Quad Station Code **BW-M-0-4S**



Manual Walk Through



Manual Walk Through

- 304 grade stainless steel construction
- Fixed base and side brushes
- Complete with 2 off steps
- Complete with drain

Code **BW-M-0-05**

Many more models available, call to discuss your requirements

Twin Sole Washers

Twin Sole Washer with Card Reader or Hygiene Turnstile

- Photoelectric switch at each end
- Created for continuous passage, the machine can be installed in a place making its use obligatory
- The sole cleaning is done by the combined action of 2 horizontal brushes and the mixing of water and detergent
- Dismantling without tools for easy cleaning of the brushes and the sump
- Entrance gate with 3-arm turnstile. Can be designed for card reader entrance or hand sanitising entrance
- Perforated waste basket with outlet
- Integrated stainless steel control panel
- Step plates to both ends

Twin Boot Washer with Card Reader Turnstile Code **BW-A-T-2B-TWIN**

TECHNICAL SPECIFICATIONS

- Made from 304 stainless steel.
- Matt finish
- Detergent injector regulation between 1 and 7.5%
- Base size: 2500mm x 1480mm



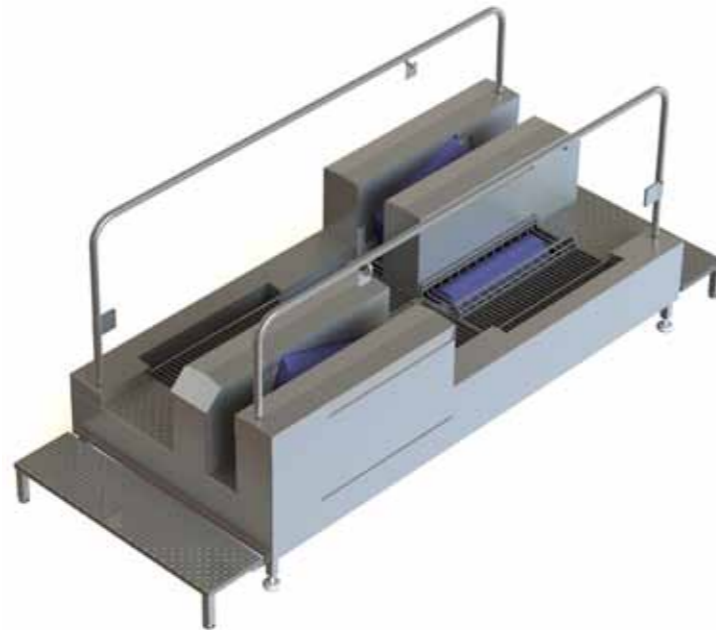
Two Way Boot / Sole Washer

Two Way Boot / Sole Washer

- Photoelectric switch at each end
- The machine combines two different ways of cleaning boots and clogs
- Created for continuous passage, the machine can be installed in a place which makes its use obligatory.
- The boot and the sole cleaning is done by the combined action of the turning lateral brushes for cleaning the side of the boot, the turning horizontal brushes for the sole, water jets and the forward movement of the user.
- Dismantling without tools for easy cleaning of the brushes and the sump.
- Separate wet and electrical compartments.
- Supplied with detergent injector for the disinfection product.

- Made from 304 grade stainless steel
- Matt finish
- Detergent injector regulation between 1 and 7.5%
- Base size: 3280mm x 1200mm.

Code **CBW-A-T-6B**



Integrated Hygiene Station



Integrated Hygiene Station

- Consisting of 4 processes:
 - Sole washing by 2 rotating base brushes with detergent injector
 - Photoelectric switch for activation
 - Hand wash via sensor operated spout
 - Hand sanitiser station with sensor operated dosing
- Hygiene gate operates only after sanitiser is complete
- Dismantling without tools for ease of maintenance
- Separate wet and electrical compartments
- Made from 304 grade stainless steel
- Base size: 1780mm x 815mm

Code **IHS.001**

Compact Sole Washer with Turnstile

Compact Sole Washer with Hygiene Gate

- A sole washing machine with hygiene gate to ensure user washes soles of shoes and sanitises hands prior to entering the production area.
- Created for continuous passage, the machine can be installed in a place which makes its use obligatory.
- The sole cleaning is done by the action of 2 horizontal turning brushes and the mixing of water and detergent.
- Photoelectric switch at each end.
- Dismantling without tools for easy cleaning of the brushes and the sump.

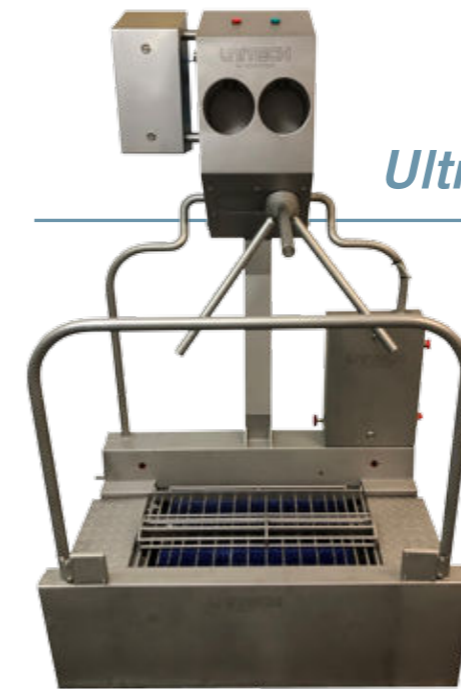
Compact Sole Washer with Hygiene Gate Code **BW-A-T-2B-TS-C**

TECHNICAL SPECIFICATIONS

- Made from 304 stainless steel.
- Matt finish
- Detergent injector regulation between 1 and 7.5%
- Compact Base size: 1800mm x 850mm



Ultra Compact Sole Washer with Turnstile



Ultra Compact Sole Washer with Hygiene Gate

- A sole washing machine with hygiene gate to ensure user washes soles of shoes and sanitises hands prior to entering the production area.
- Created for continuous passage, the machine can be installed in a place which makes its use obligatory.
- The sole cleaning is done by the action of 2 horizontal turning brushes and the mixing of water and detergent.
- Photoelectric switch at each end.
- Dismantling without tools for easy cleaning of the brushes and the sump.

Ultra Compact Sole Washer with Hygiene Gate Code **BW-A-T-2B-TS-UC**

TECHNICAL SPECIFICATIONS

- Made from 304 stainless steel.
- Matt finish
- Detergent injector regulation between 1 and 7.5%
- Ultra Compact Base size: 1167mm x 780mm

Hygiene Gate



Typical Hygiene Entrance Arrangement

TECHNICAL SPECIFICATIONS

- Made from 304 stainless steel.
- Turnstile will not operate unless sanitiser is dispensed.
- Fully integrated electrics / control.
- Can be supplied complete with robust stand or can be integrated onto our walk through bootwashers.

Single sided Code **TS.001**
Double sided Code **TS.002**



Square Dollies

Square Dolly

- Manufactured in 304 grade stainless steel
- 4 Swivel nylon wheels with zinc housings
- Other dimensions and castor options available

600 x 400mm tray Code **S0.001**
 750 x 450mm tray Code **S0.002**



Roller Bogies

Aluminium Roller Bogies

- Manufactured from aluminium
- 6 fixed wheels, 100mm diameter

600 x 400mm tray Code **BL.FT1.01**
 750 x 450mm tray Code **BL.FT1.02**

Stainless Steel Roller Bogies

- Manufactured from stainless steel
- 6 fixed wheels, 100mm diameter

600 x 400mm tray Code **BL.FT1.03**
 750 x 450mm tray Code **BL.FT1.04**



Circular Bogies



Circular Stainless Steel Bogies

- Manufactured from stainless steel
- 4 swivel wheels

300mm diameter Code **BL.FT1.05**
 400mm diameter Code **BL.FT1.06**
 450mm diameter Code **BL.FT1.07**

Storage Bins



Stainless Steel Dolav

- 304 or 316 grade stainless steel
 - Stackable
 - FLT access from all sides
 - Bead blast finish
 - Fully welded
- 1204 x 1004 x 845mm (L x W x H)

Code **SSD.001**

Custom sizes also available



Half Moon Trough

- 304 or 316 grade stainless steel
 - Heavy duty fully welded construction
 - Pushing handle for ease of mobility
 - Drain with screw plug
- 200 litre capacity –
 1200 x 700 x 810mm high Trough
 depth 360mm

Code **HMT.001**

Floor Cupboards and Drawers



Floor Cupboards and Drawers

- 304 grade stainless steel
- Access beneath for cleaning
- Hinged or sliding doors
- Drawers available
- Doors and drawers can be lockable
- Rear upstands available
- Electrical sockets available
- Internal shelf options

Available with a variety of drawer and door combinations, please call to discuss your requirements.



We Specialise in Bespoke
 Give us a call on
 +44(0)1543 675 800

We design, manufacture and install your requirement



Tall Cupboards

Tall Cupboard

S/S tall cupboard with hinged doors 3 off shelves
 900 x 457 x 1880mm Code **CU.T01.01**
 1200 x 457 x 1880mm Code **CU.T01.02**
 900 x 610 x 1880mm Code **CU.T01.03**
 1200 x 610 x 1880mm Code **CU.T01.04**

S/S tall cupboard with single door
 600 x 400 x 1880mm high
 4 off shelves Code **CU.001.00**
 • 304 grade stainless steel • Hygienic sloping roof
 • Satin brush finish • Internal shelves
 • Levelling feet



Janitors Cupboard

4 off shelves 3 off hinged doors
 1400 x 600 x 2000mm Code **JC.001**

• 304 grade stainless steel • Hygienic sloping roof
 • Satin brush finish • Internal shelves
 • Levelling feet

Stainless Steel Open Front Cupboard

1000 x 400 x 1650mm 3 off shelves Code **OFC.001**
 600 x 400 x 1650mm 4 off shelves Code **OFC.002**

Floor Cupboard

Hinged Door Sliding Door

1 off door 1 off mid shelf 600 x 600 x 850mm	Code FCH.001.01	FCS.001.01
2 off doors 1 off mid shelf 1200 x 600 x 850mm	Code FCH.001.02	FCS.001.02
3 off doors 1 off mid shelf 1500 x 600 x 850mm	Code FCH.001.03	FCS.001.03
4 off doors 1 off mid shelf 1800 x 600 x 850mm	Code FCH.001.04	FCS.001.04
1 off door 1 off drawer 600 x 600 x 850mm	Code FCH.001.05	FCS.001.05
2 off doors 2 off drawers 1200 x 600 x 850mm	Code FCH.001.06	FCS.001.06
3 off doors 3 off drawers 1500 x 600 x 850mm	Code FCH.001.07	FCS.001.07
4 off doors 4 off drawers 1800 x 600 x 850mm	Code FCH.001.08	FCS.001.08

• 304 grade stainless steel • Robust design
 • Satin brush finish • Access for cleaning
 • Internal shelves



Wall Cupboard

Hinged Door Sliding Door

1 off hinged doors 1 off mid shelf 600 x 400 x 600/700mm	Code WCH.001.01	N/A
2 off hinged doors 1 off mid shelf 1000 x 400 x 600/700mm	Code WCH.001.02	WCH.001.02
2 off hinged doors 1 off mid shelf 1200 x 400 x 600/700mm	Code WCH.001.03	WCH.001.03
2 off hinged doors 1 off mid shelf 1500 x 400 x 600/700mm	Code WCH.001.04	WCH.001.04
1 off hinged doors 1 off mid shelf 600 x 300 x 600/700mm	Code WCH.001.05	N/A
2 off hinged doors 1 off mid shelf 1000 x 300 x 600/700mm	Code WCH.001.06	WCH.001.06
2 off hinged doors 1 off mid shelf 1200 x 300 x 600/700mm	Code WCH.001.07	WCH.001.07
2 off hinged doors 1 off mid shelf 1500 x 300 x 600/700mm	Code WCH.001.08	WCH.001.08



Wall Cupboard

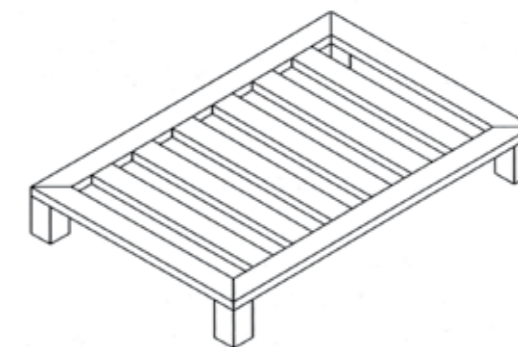
• 304 grade stainless steel • Midshelf in each cupboard • Robust design

Flat Pallets

Flat Pallets

- Fully welded.
- Manufactured from aluminium.
- Stackable.
- Easy cleaning and hard-wearing
- Excellent general purpose product.
- Full perimeter pallet reduces pallet damage from forks.
- 1200 x 1000 x 160 high, load capacity 600kg.
- 1200 x 800 x 160 high, load capacity 1000kg.

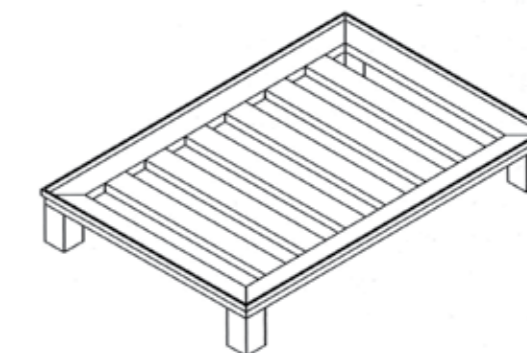
1200 x 1000 x 160mm Code **PA.FL1.01**
 1200 x 800 x 160mm Code **PA.FL1.02**



Flat Pallets with Rim

- Fully welded.
- Manufactured from aluminium.
- Stackable.
- Easy cleaning and hard-wearing
- Excellent general purpose product.
- Full perimeter pallet reduces pallet damage from forks.
- 1215 x 1015 x 160 high, load capacity 600kg.
- 1215 x 815 x 160 high, load capacity 1000kg
- Complete with retaining lip.

1215 x 1015 x 160mm Code **PA.FL1.R01**
 1215 x 815 x 160mm Code **PA.FL1.R02**

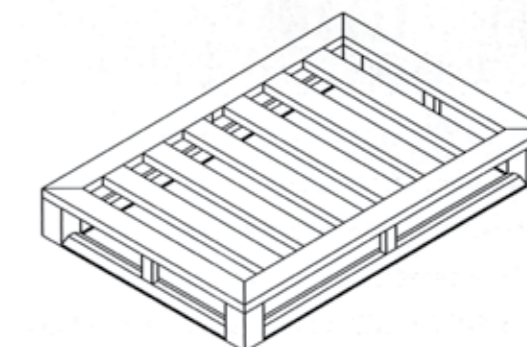


Skid Pallets

Skid Pallets

- Fully welded.
- Manufactured from aluminium.
- Stackable.
- Easy cleaning and hard-wearing.
- Excellent general purpose product.
- Skid pallet reduces pallet damage from forks.
- 1200 x 1000 x 160 high, load capacity 600kg.
- 1200 x 800 x 160 high, load capacity 1000kg.

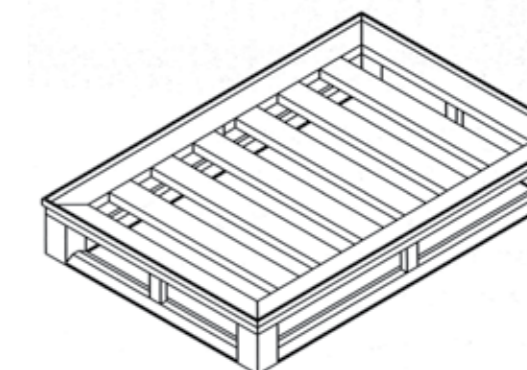
1200 x 1000 x 160mm Code **PA.FP1.01**
 1200 x 800 x 160mm Code **PA.FP1.02**



Skid Pallets with Rim

- Fully welded.
- Manufactured from aluminium.
- Stackable.
- Easy cleaning and hard-wearing.
- Excellent general purpose product.
- Skid pallet reduces pallet damage from forks.
- 1215 x 1015 x 160 high, load capacity 600kg.
- 1215 x 815 x 160 high, load capacity 1000kg.
- Complete with retaining lip.

1215 x 1015 x 160mm Code **PA.FP1.R01**
 1215 x 815 x 160mm Code **PA.FP1.R02**

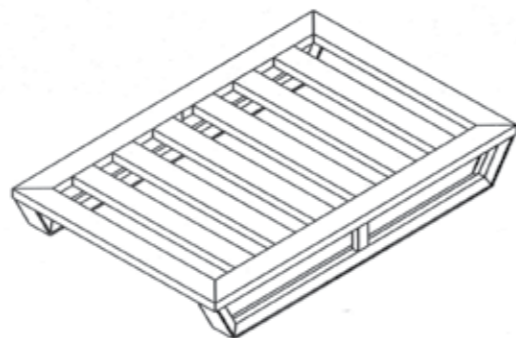


Flat Angled Skid Pallets

Flat Angled Skid Pallets

- Fully welded on four block feet.
- Manufactured from aluminium.
- Easy cleaning and hard wearing.
- Excellent general purpose product.
- 1200 x 1000 x 160 high, load capacity 600kg.
- 1200 x 800 x 160 high, load capacity 1000kg.

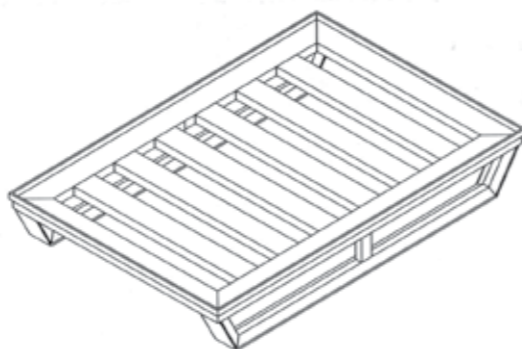
Aluminium Flat Pallet 1200 x 1000 x 160mm Code **PA.SK1.01**
 Aluminium Flat Pallet 1200 x 800 x 160mm Code **PA.SK1.02**



Flat Angled Skid Pallets with Rims

- Fully welded on four block feet.
- Manufactured from aluminium.
- Easy cleaning and hard wearing.
- Excellent general-purpose product.
- Complete with retaining lip.
- 1215 x 1015 x 160 high, load capacity 600kg.
- 1215 x 815 x 160 high, load capacity 1000kg.

Aluminium Flat Pallet with Rim 1215 x 1015 x 160mm Code **PA.SK1.R01**
 Aluminium Flat Pallet with Rim 1215 x 815 x 160mm Code **PA.SK1.R01**



We Specialise in Bespoke

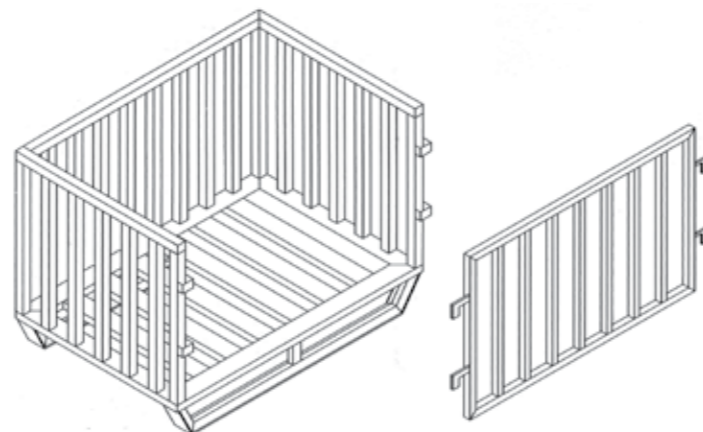
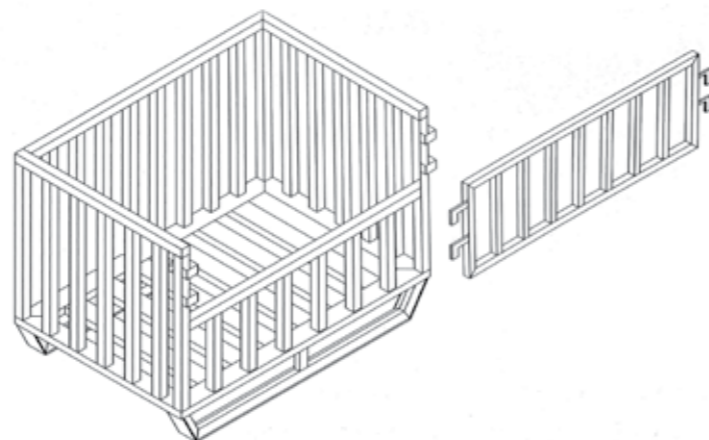
Give us a call on
+44(0)1543 675 800

Caged Pallets

Caged Pallets

- Fully welded, stackable, robust box pallets.
- Various options available.
- Block feet, angled skids, full perimeter, mobile.
- Complete with gates or half gates dependant upon requirements.
- Capacity up to 1000 kg.
- Individual sizes available upon customer request.
- Full security caged pallet also available with lockable lid and gate.

Caged Pallet 1200 x 800 x 850mm Code **PA.CA1.01**
 Caged Pallet 1200 x 1000 x 850mm Code **PA.CA1.02**



Platforms and Steps

Mobile Steps

- Manufactured in 304 quality stainless steel
- Stainless steel non slip steps
- 2 swivel castors to rear
- 2 retractable fixed castors
- Locking handle

Mobile steps S/S locking handle chequer or anti slip perforated

2 steps + platform 730mm high Code **MS.ST.002**
 3 steps + platform 920mm high Code **MS.ST.003**
 4 steps + platform 1140mm high Code **MS.ST.004**
 5 steps + platform 1380mm high Code **MS.ST.005**
 6 steps + platform 1500mm high with additional stabilisers Code **MS.ST.006**
 7 steps + platform 1800mm high with additional stabilisers Code **MS.ST.007**

Static Steps

Static S/S step units with chequer plate or anti slip perforated

1 step no handrail 500mm high Code **SS.ST.001**
 2 step no handrail 730mm high Code **SS.ST.002**

Aluminium step units static with chequer plate or anti slip perforated

1 step no handrail 500mm high Code **SS.AL.001**
 2 step no handrail 730mm high Code **SS.AL.002**



Platform



Platform

- Designed to suit your application.
- Stainless Steel, Mild Steel or Aluminium.
- Box section or Tube.
- Fully welded.
- Hygienic design.

Up & Over Step Unit



Up and Over Step Unit

- Designed to suit your application.
- Stainless Steel, Mild Steel or Aluminium.
- Box section or Tube.
- Fully welded Hygienic design.

We Specialise in Bespoke

Give us a call on
+44(0)1543 675 800

Unitech can design, manufacture and install your bespoke platforms & stairs



Call to discuss your requirements

Unitech also Design, Manufacture and install Barrier Protection in Stainless or Mild Steel

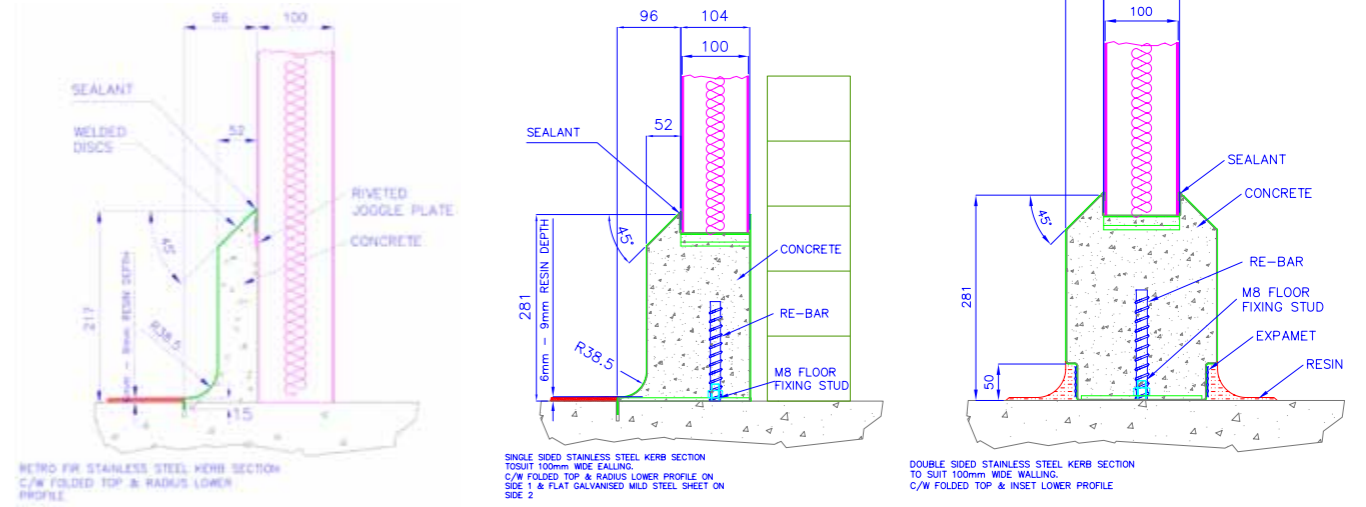


Drains & Kerbing

Unitech manufacture an extensive range of Stainless Steel drains, kerbing and protection systems. We offer a full survey design and installation service.

Kerbing

Available for new builds or as a retro fit
Some Standard Kerb types



Other styles and material specifications available
Call to discuss your requirements

Some examples of installations



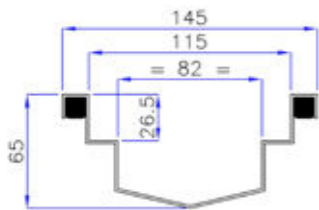
Stainless Steel Drainage

Drain Channels

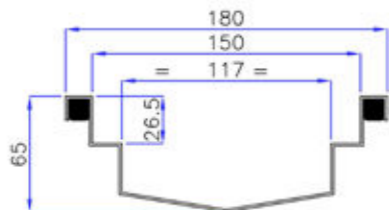
- 304 grade stainless steel (316 option)
- Standard sizes available
- Bespoke options
- Range of grid options



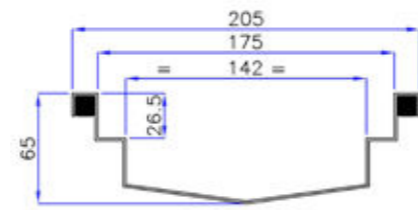
Standard channel 1



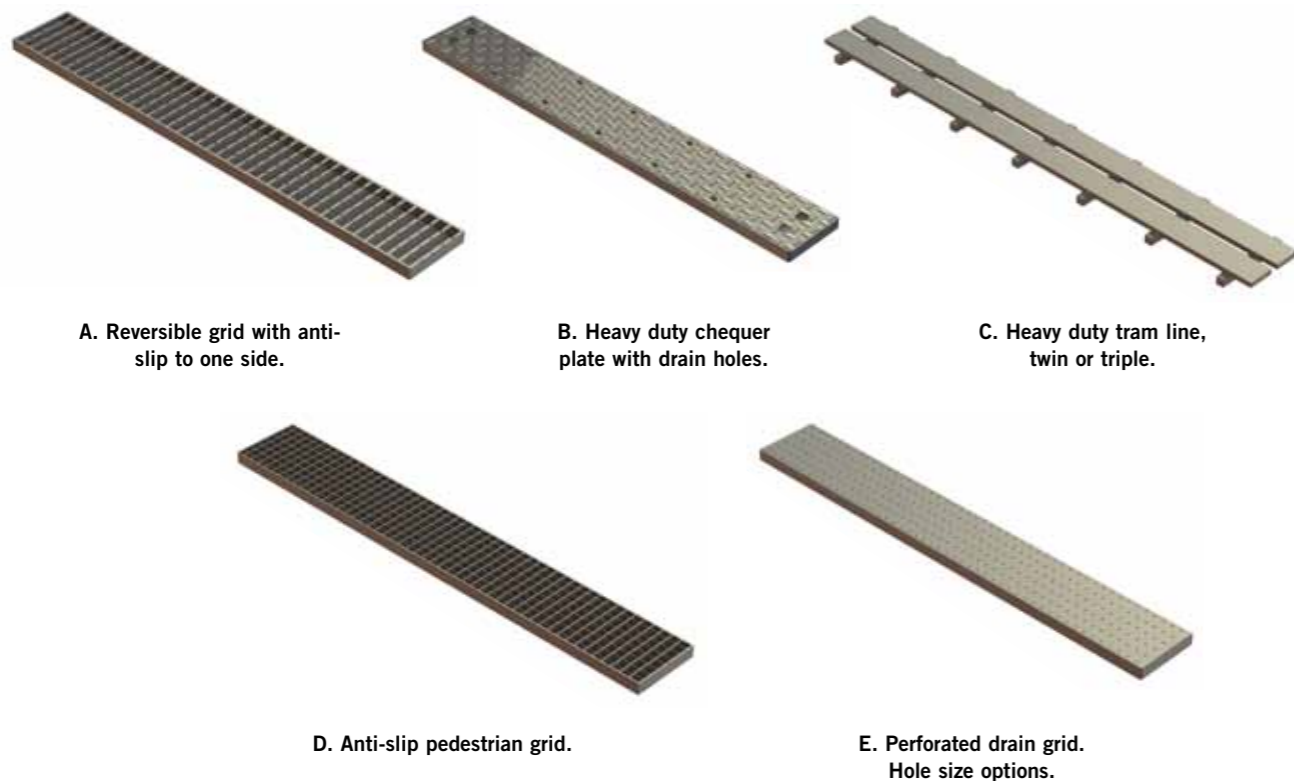
Standard channel 2



Standard channel 3



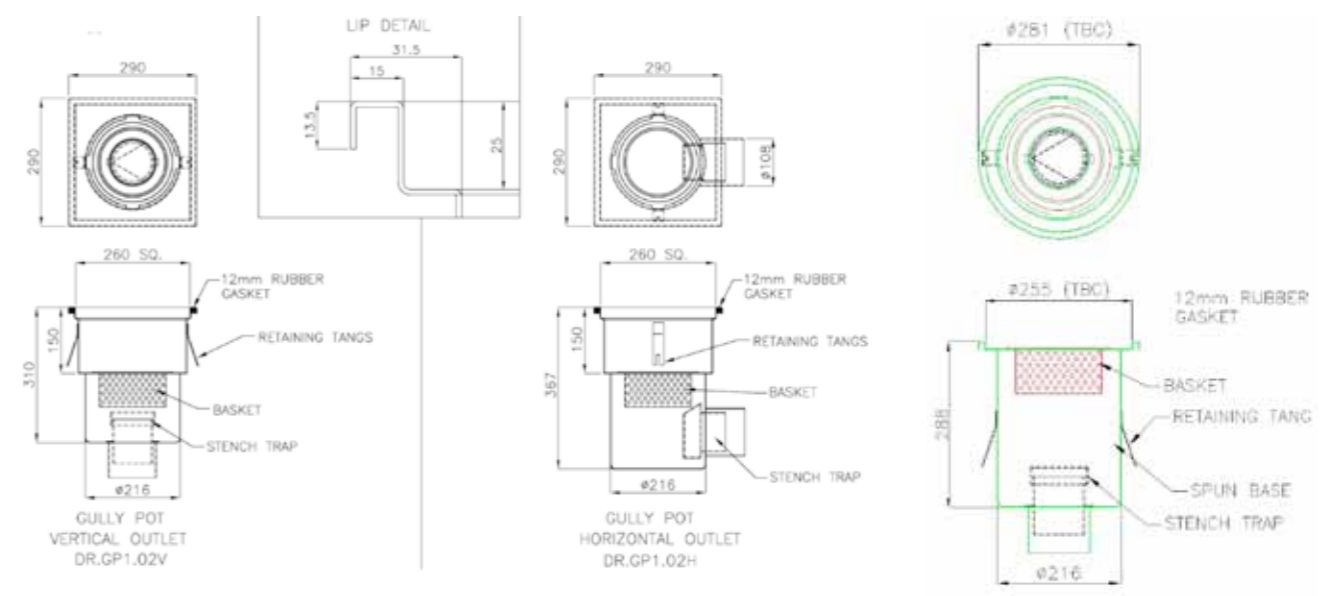
Drainage Grids



Stainless Steel Drainage

Gully Pots

- 304 grade stainless steel (316 option)
- Removable gross solids collection baskets
- Removable foul air trap
- Horizontal or vertical outlet
- Round or square bases
- Reinforced rubber infill lip



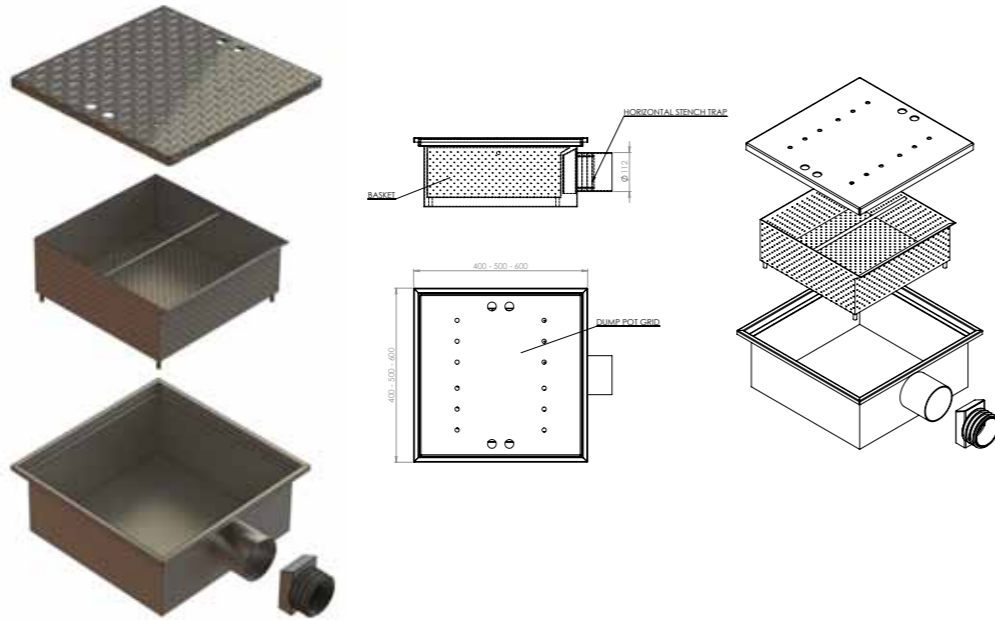
Drains & Kerbing

Drains & Kerbing

Stainless Steel Drainage

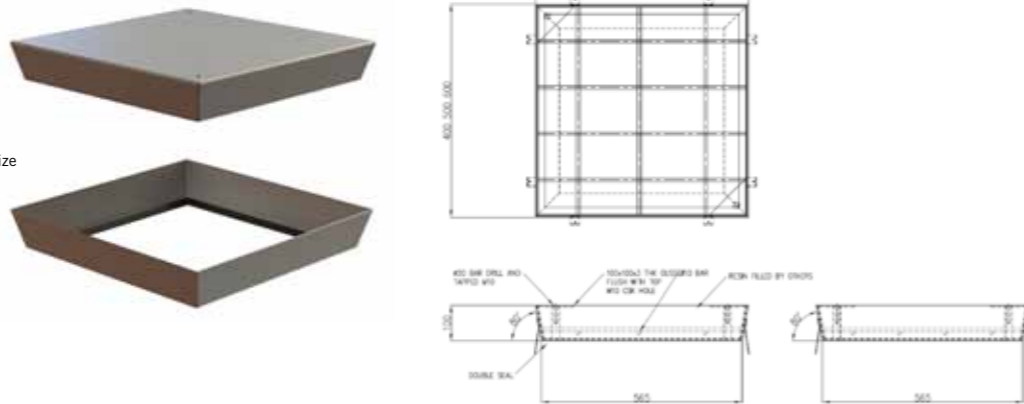
Dump Pots

- 304 grade stainless steel
- 316 grade option
- Removable mesh baskets
- 4" or 6" outlets
- Various tops



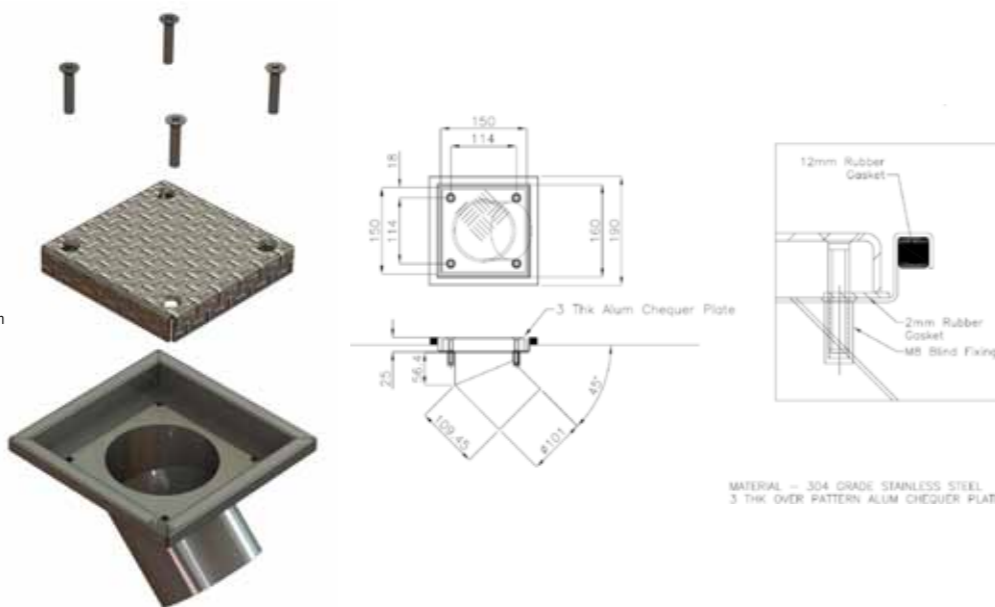
Manhole Covers

- 304 grade stainless steel
- 316 grade option
- Top suitable for resin filling
- 400mm, 500mm, 600mm square size options.



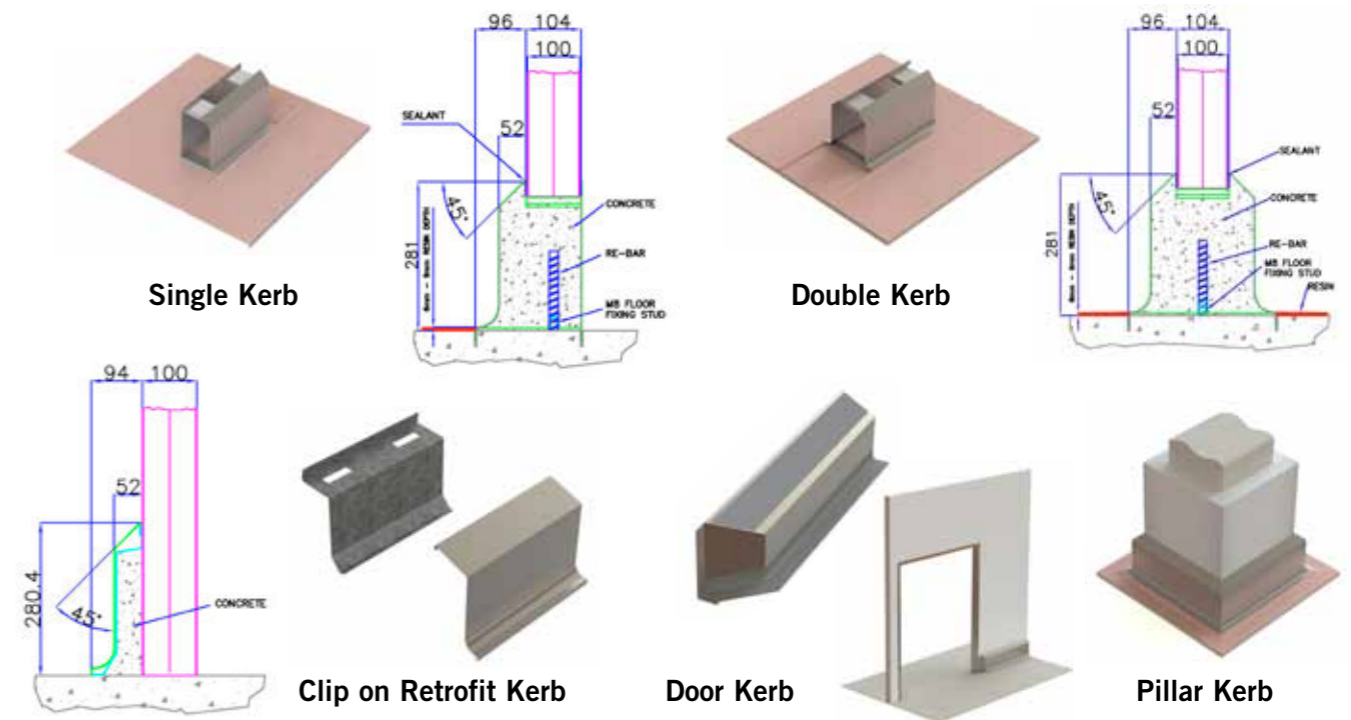
Rodding Eyes

- 304 grade s/s
- 316 grade option
- Removable mesh baskets
- 150mm square with 4" outlet or 235mm square with 6" outlet
- Various tops



Stainless Steel Kerbing

Our stainless kerbing systems are available for new builds or as a retro fit. As they are manufactured from 304 grade stainless steel they are a robust and hygienic kerbing solution. We manufacture standard kerb types and sizes along with bespoke options.



Stainless Steel Barrier Railing, Gates & Posts

Choose from our standard range of 304 or 316 grade options or request bespoke arrangements. Our experienced design team will create a solution to suit your requirements.



Platforms, Gantries & Stairways

Designed to suit your application and available in stainless steel, aluminium or mild steel.



We design, manufacture and install.

Vessels & Utensils



Stainless Steel Measuring Jugs

- Manufactured in 304 quality stainless steel.
- Crevice free.
- Fully welded.
- Bright polished.

Capacity	Diameter x Height	Code
500 ml	120 x 110mm	Code 129A
1000 ml	150 x 140mm	Code 129B
2000 ml	175 x 200mm	Code 129C



Stainless Steel Crevice Free Scoops

- Manufactured in 304 quality stainless steel.
- Crevice free.
- Fully welded.
- Bright polished.

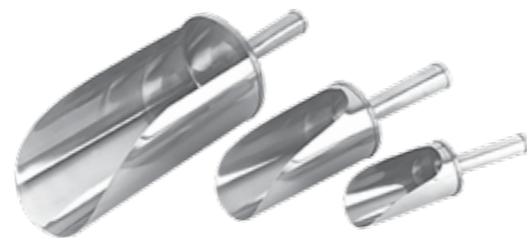
Size	Code
100 x 50mm	Code 155A
150 x 75mm	Code 155B
210 x 95mm	Code 155C
235 x 110mm	Code 155D
235 x 135mm	Code 155E
250 x 150mm	Code 155F
275 x 175mm	Code 155G
325 x 255mm	Code 155H



Stainless Steel Straight Sided Jugs

- Manufactured in 304 quality stainless steel.
- Crevice free.
- Fully welded.
- Bright polished.

Capacity	Code
0.5 litres	Code 135A
1.0 litres	Code 135B
1.5 litres	Code 135C
2.0 litres	Code 135D
5.0 litres	Code 135E



Stainless Steel Flour Scoops

- Manufactured in 304 quality stainless steel.
- Bright polished.

Blade size	Code
100 x 50mm	Code 160A
150 x 75mm	Code 160B
190 x 100mm	Code 160C
235 x 100mm	Code 160D
250 x 150mm	Code 160E



Stainless Steel Funnels

- Manufactured in 304 quality stainless steel.
- Crevice free.
- Fully welded.
- Bright polished.

Diameter	Code
50mm	Code 130A
80mm	Code 130B
100mm	Code 130C
120mm	Code 130D
150mm	Code 130E
200mm	Code 130F
250mm	Code 130G
305mm	Code 130H



Stainless Steel Narrow Mouthed Jugs

- Manufactured in 304 quality stainless steel.
- Crevice free.
- Fully welded.
- Bright polished.

Capacity	Code
0.6 litres	Code 140B
1.0 litres	Code 140C
2.0 litres	Code 140D
3.0 litres	Code 140E
5.0 litres	Code 140F

Vessels & Utensils



Stainless Steel Bowls

- Manufactured in 304 quality stainless steel.
- Crevice free.
- Fully welded.
- Bright polished.

Capacity	Diameter	Code
0.75 litres	165mm	Code 115A
1.0 litres	170mm	Code 115B
2.0 litres	220mm	Code 115C
3.0 litres	250mm	Code 115D
4.0 litres	270mm	Code 115E
5.0 litres	300mm	Code 115F
6.0 litres	320mm	Code 115G
8.0 litres	335mm	Code 115H
11.0 litres	395mm	Code 115I
14.0 litres	410mm	Code 115J



Stainless Steel Balers

- Manufactured in 304 quality stainless steel.
- Crevice free.
- Fully welded.
- Bright polished.

Capacity	Diameter	Code
1.1 litres	150mm	Code 110A
2.2 litres	200mm	Code 110B
3.0 litres	225mm	Code 110C

Stainless Steel Ladles

- Manufactured in 304 quality stainless steel.
- Crevice free.
- Bright polished.

Capacity	Diameter	Code
0.075 litres	70mm	Code 191B
0.125 litres	80mm	Code 191C
0.250 litres	100mm	Code 191D
0.450 litres	120mm	Code 191E



Stainless Steel Buckets

- Manufactured in 304 quality stainless steel.
- Crevice free.
- Lifting rim and handle.
- Graduated.
- Lids available.

Capacity	Code	Lid Number	Code
10 litres	Code 120A	Code 120AL	Code 120AL
12 litres	Code 120B	Code 120BL	Code 120BL
15 litres	Code 120C	Code 120CL	Code 120CL
8 litres	Code 120D	-	-
6 litres	Code 120E	-	-



Stainless Steel Straight Sided Bucket

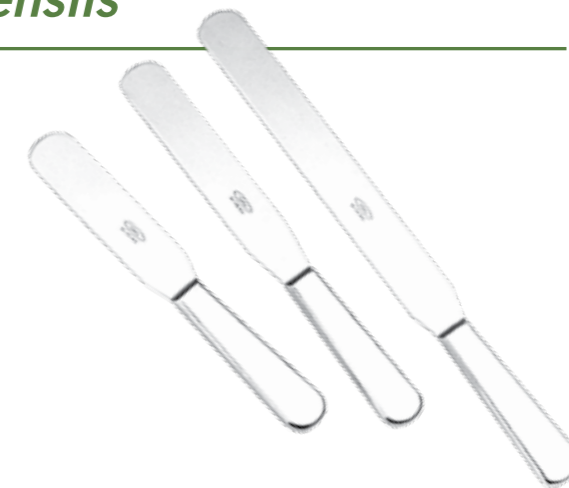
- Manufactured in 304 quality stainless steel.
- Graduated.
- Lids available.
- Pouring spout.
- Standing rim.
- Lifting handles.
- Crevice free.
- Bright polished.

Capacity	Code
5 litres	Code 125A
10 litres	Code 125B
15 litres	Code 125C
23 litres	Code 125D
28 litres	Code 125E

Stainless Steel/Alloy Scrapers

- Manufactured in 304 quality stainless steel.
- Alloy/stainless steel handle.
- Satin finish.

All Stainless Steel		Stainless blade/Alloy handle	
Blade size	Diameter	Blade size	Diameter
125 x 37mm	Code 153AS	125 x 37mm	Code 153A
125 x 50mm	Code 153BS	125 x 50mm	Code 153B
125 x 75mm	Code 153CS	125 x 75mm	Code 153C
150 x 100mm	Code 153DS	150 x 100mm	Code 153D
150 x 150mm	Code 153ES	150 x 150mm	Code 153E



Stainless Steel Pallet Knives

- Manufactured in 304 quality stainless steel.
- Crevice free.
- Handle length 125mm approx.
- Fully welded.
- Bright polished.

Blade length	Code
150mm	Code 191A
200mm	Code 191C
250mm	Code 191D
300mm	Code 191E



Stainless Steel Storage & Mixing Containers

- Manufactured in 304 quality stainless steel.
- Graduated.
- Lids and clamps available.
- Standing rim.
- Lifting handles.
- Crevice free.
- Bright polished.

Capacity	Diameter	Code
15 litres	275mm	Code 370B
20 litres	300mm	Code 370C
25 litres	300mm	Code 370D
30 litres	300mm	Code 370E
50 litres	370mm	Code 370F
75 litres	425mm	Code 370G
100 litres	475mm	Code 370H
150 litres	530mm	Code 370I



Washing Systems

Used by companies worldwide. The Unitech range of washers include an extensive selection of both Standard & Custom built machines.

Our Services

- Machine Design
- Machine Service
- Spare Parts
- Installation
- Machine Refurbishments

Our Range

- Pan/Utensil Washer
- Tray Washers
- Tote Bin Washers
- Rack Washers
- Sanitising Tunnels
- Pallet Washer
- Dolav Washer
- IBC Washer

Design Features

- Powerful cleaning
- Hygienic design
- Predominantly 304 grade stainless steel
- Ease of maintenance
- Modular design

Pan/Utensil Washers

Pan/Utensil Washers

Unitech Pan Washers offer a compact washing system suitable for many different types of products. As with the other machines within our portfolio, the pan washer offers a hygienic construction, free from crevices pop rivets or sealants.

Cleaning is via top and bottom rotary arms, fitted with quick release stainless steel nozzles, to give full coverage of the items to be washed. The detergent wash cycle is followed by a hot pumped rinse, up to 85°C, in order to remove detergent residue and assist flash drying. Operator maintained items, such as filters and level probes are accessible from outside the wash chamber, for ease of use.

Double skinned, gas strut assisted and electrically interlocked access door, ensures operator safety and ease of loading.

Wheels attached to the machine frame allow the unit to be easily moved, for cleaning around and under the machine in high-risk applications.

A PLC (programmable logic controller) linked to an operator HMI (human machine interface) allows a wide range of wash times and cycles, tailored to each customer requirement. Heating media within the wash tank can be either electric or steam.



Standard machine sizes:

800 series	Basket size - 800mm x 800mm
1200 series	Basket size - 800mm x 1200mm
1600 series	Basket size - 800mm x 1600mm

Crate/Tray Washers

Crate/Tray Washers

Unitech Tunnel Jet Washers offer a continuous in-line washing solution for trays and crates. Washing pressures of 60-80psi provide an effective wash via stainless steel quick release fan jets, ensuring all surfaces of the product are thoroughly cleaned. Hygienic construction, eliminating stitch welds, pop rivets, sealants and the employment of free draining, sloping surfaces, allow the machines to be suitable for both low and high-risk areas, without the need for a change of specification. The use of sloping surfaces and hygienic design principles also assist in reducing times for routine clean down operations.

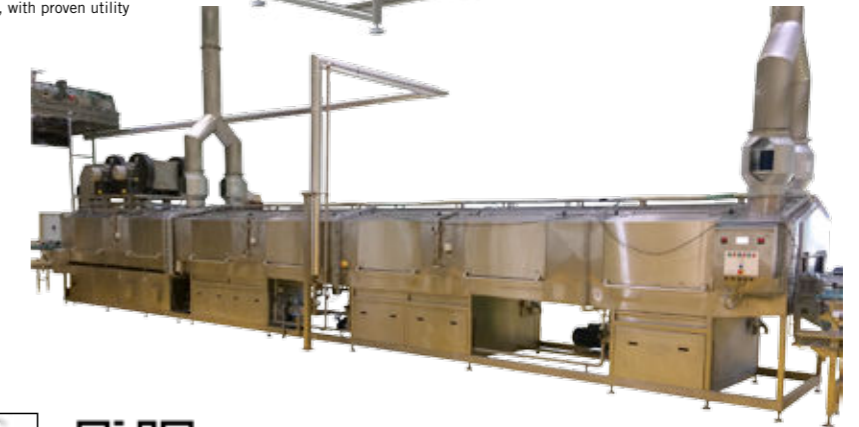
Unitech are able to easily tailor the machine design and wash requirements to the client's specific needs, with various pre-wash, wash, rinse, sanitising and drying options available. The tailored design also assists in minimising water and energy usage, with proven utility savings over many competitors equipment.

Standard Features

- Stainless steel crevice free construction
- Variable speed drives
- Hinged access doors, electrically interlocked
- Stainless Steel, quick release 360° jetting

Options

- Speed ranges from 100 units per hour up to 6000 units per hour
- Single and Twin Track options
- Heating via electric, steam or gas
- Pre-wash and heated rinse options
- Air knife blowers for water removal
- Heated drying tunnels
- High pressure jetting for label and stubborn soil removal
- Automatic filtration options
- Multiple tray sizes accommodated



Bespoke Washing Systems

Tote Bin/Buggy Washers

Tote Bin/Buggy Washers

Unitech Tote Bin Washers are available with various options, thus tailoring the equipment to specific customer requirements. Offering full internal/external and wheel washing, the Unitech Tote Bin Washer gives an effective all over clean for all types of soiling. Internal surfaces are cleaned using a motor driven, high-impact jetting arm, with stainless steel, quick release jets. Wheels are washed with an additional rotary jetting head to give a complete all over wash. Various wash programs allow bins with varying degrees of contamination to be washed in a common unit, but with the minimum amount of energy for each different product.

The Unitech Tote Bin Washer is constructed using the hygienic principles applied to all our equipment, with the elimination of stitch welding and silicone sealants, producing a crevice-free finish, which facilitates the cleaning of the unit and minimises bacterial traps. A unique optional system of filtration allows gross debris or protein-based products to be pre-washed from the bins, preventing soils from entering the main wash reservoir, thus minimising both detergent and water usage.

Standard Features

- Stainless Steel, Crevice-Free Construction
- Hygienic Tubular Jetting Manifolds With Flushing Points For Cleaning
- Electrically Interlocked Doors
- Automatic Lifting Arms Invert The Bins For Cleaning.
- Re-Circulated Detergent Wash
- Multiple Wash Programs

Options

- Steam, Electric or Gas Heating Options
- Single or Twin Bay Units
- Ambient or Heated Final Rinse
- Automatic Filtration Options
- Pre-Wash Options



Tote Bin/Buggy Washers



Tote Bin/Buggy Washers

Unitech Tote Bin Washers are available with various options, thus tailoring the equipment to specific customer requirements. Offering full internal/external and wheel washing, the Unitech Tote Bin Washer gives an effective all over clean for all types of soiling. Internal surfaces are cleaned using a motor driven, high-impact jetting arm, with stainless steel, quick release jets. Wheels are washed with an additional rotary jetting head to give a complete all over wash. Various wash programs allow bins with varying degrees of contamination to be washed in a common unit, but with the minimum amount of energy for each different product. The Unitech Tote Bin Washer is constructed using the hygienic principles applied to all our equipment, with the elimination of stitch welding and silicone sealants, producing a crevice-free finish, which facilitates the cleaning of the unit and minimises bacterial traps. A unique optional system of filtration allows gross debris or protein-based products to be pre-washed from the bins, preventing soils from entering the main wash reservoir, thus minimising both detergent and water usage.

Standard Features

- Stainless Steel, Crevice-Free Construction
- Hygienic Tubular Jetting Manifolds With Flushing Points For Cleaning
- Electrically Interlocked Doors
- Automatic Lifting Arms Invert The Bins For Cleaning.
- Re-Circulated Detergent Wash
- Multiple Wash Programs

Options

- Steam, Electric or Gas Heating Options
- Single or Twin Bay Units
- Ambient or Heated Final Rinse
- Automatic Filtration Options
- Pre-Wash Options



Rack Washers



Rack Washers

Unitech Rack Washers are supplied primarily to the food and pharmaceutical industries for the effective cleaning of wheeled or pallet base racks. As with all of our equipment they are of hygienic construction, and are designed to make the machine clean down, quick and efficient, eliminating areas, that in some designs are difficult or time consuming to clean.

Washing is via rotary arms, fitted with quick release stainless steel jets, coupled to a high volume medium pressure (60psi) centrifugal pump(s), in order to produce an all over effective clean. The wheels and bases of the racks are also subjected to jetting ensuring that areas sometimes overlooked are washed.

The rack washer floor is completely removable for cleaning, allowing complete access to the machine base tank. Unitech Rack washers are supplied for pit or floor mounting, and can be supplied with a "through" door system from low risk to high care, which is electrically interlocked to prevent low risk area equipment from entering high care without being subjected to a wash cycle.

For pit mounted systems, the Unitech pit design and pit plates, allow full access to the pit base, ensuring that no areas are inaccessible for cleaning.

As with all of our equipment, access doors are double skinned and electrically interlocked for operator safety, and are fitted with internal emergency release handle to ensure safety compliance.

Standard Features

- 360° jetting
- Stainless Steel Construction
- Hygienic construction

Options

- Steam, Electric Heating
- Single side or through door access
- Pit or floor mounting
- Ambient or heated rinse
- Single or multiple rack systems



Sanitising Tunnels

Sanitising Tunnels

Unitech Sanitising Tunnels are designed to effectively apply an uninterrupted flow of sanitising solution to all faces of products being handled.

To achieve this, Unitech have a unique system of removing the belt from the product during the spraying operation, allowing full 360° coverage.

Hygienic construction, eliminating stitch welding, pop rivets and silicone sealants, provide a crevice-free product, thus minimising the risk of bacterial growth and cross-contamination. Large access doors and removable end covers add to the cleanability of the sanitiser offering a fully hygienic operation.

Standard Features

- Blue coloured modular belt, open design, allowing free drainage
- Inverter controlled motor for speed adjustment
- Automatic level control on the reservoir for fill and pump protection
- Centrifugal pump with stainless steel impeller and housing
- Dosatron sanitiser injector
- Sloping surfaces for added hygiene benefits
- Through wall installation
- Stainless steel construction, with food grade bearings
- Re-circulation and filtration of sanitising solution, minimising water and sanitant costs
- Photocell on discharge, stops the conveyor in the absence of an operator

Options

- Lift up ends, minimising clean down times
- 316 stainless steel construction
- Air knife on discharge for excess solution removal
- Bi-directional operation
- Total Loss "misting" systems for delicate products



Pallet Washers

Pallet Washers

Unitech Pallet washers can be supplied as manually loaded units or as a complete system, using automatic de-stacking and re-stacking of pallets.

All our machines are manufactured using hygienic design principles, thus enabling them to be used in a wide range of industries, from logistics through to food and pharmaceutical installations. Re-circulated wash systems, coupled to a range of filtration options make the machines highly efficient and minimise utility and energy usage. Various washing cycles are available from pre-washing, hot detergent wash, final rinse, sanitising rinse and air knife blower systems, thus enabling the machines to be tailored to the customer's requirements.

Rotary jetting systems and fixed manifolds with 360° coverage, are strategically positioned for cleaning hard to reach areas, such as tops of base boards. Fitted with stainless steel quick release jets they provide an excellent result when cleaning even the heaviest of soiled pallets.

Many designs and sizes of pallets can be accommodated, with also adjustable guide systems to allow pallets of varying size and design to be washed in a common unit.



Standard Features

- Stainless Steel Hygienic Construction
- Effective Jetting Systems
- Re-Circulated Wash Systems
- Rotary and Fixed Jetting Systems
- Energy Efficient

Options

- Manual or Automatic Feed Options
- De-Stacking and Re-Stacking
- Air Knife Drying
- Gas, Steam or Electric Heating



Dolav / Bulk Container Washers

Dolav/Bulk Container Washing

Dolav or Pallet Box washers allow the efficient cleaning of Bulk storage containers with either a stand-alone cabinet unit or an automated in-line system. As with all our wash equipment, the machines in this range incorporate our latest hygienic design principles, thus minimising energy usage and cleaning times.

Cabinet units can be supplied with single or double bays to accommodate various throughput rates, and can be available with removable frames in order to allow a large range of containers to be washed in a single machine. Multiple programmable wash cycles are included which gives flexibility for a wide range of soiling, allowing the client to tailor the machine to their specific requirements.

In-line systems have an indexing mechanism allowing the Dolavs to pause at a jetting station, where high impact jets enter the unit, ensuring that all surfaces are efficiently washed. These units can also be supplied to accommodate other items such as Pallets, within the same production line.

With most of the water being re-circulated, significant savings in utility usages can be made, against normal hand-held jet wash systems, giving short payback periods.

Standard Features

- Stainless-Steel Construction
- Multiple Wash Programs
- Re-Circulated Wash Cycles
- High Impact Jetting

Options

- Gas, Steam or Electric Heating
- Single, Twin Bay or In-Line Configuration
- Low Risk/High Care Operation
- Ambient or Heated Final Rinse



Conveyors & Material Handling

Unitech manufacture a wide range of conveyors and conveyor systems for use in the food and other hygiene conscious industries.

Our Services

- Design
- Automation
- Installation
- Project Management

Our Range

- Modular Belt
- Bottle & Can
- Magnetic
- Pallet
- Endless Belt
- Poultry
- Multi-Tier
- Loose Product
- Wire Mesh
- Rework/Assembly
- Elevating Product
- Rotary Table/Lazy Suzies
- Egg Grading
- Vibratory Feed
- Indexing/Readymeal Lines
- System Integration Contract Management
- Electric Enclosures
- Electrical Panels

Design Features

- Hygienic Design
- Robust
- Predominantly 304 grade stainless steel
- Ease of maintenance through careful design

Full Range of Spares Available

Cable Conveyors

Cable Conveyors

Unitech can provide completely integrated PLC (programmable logic controller) controlled cable conveyor systems that are used predominantly for handling of cans or PET containers up to speeds of 1500cpm.

Benefits of Cable Conveyors:

- Single lane flexible conveying system
- Low cost option for conveying over large distances
- Tailored to suit customer requirements
- Customised guide rails to suit containers
- Can be integrated with slat/modular belt conveyor designs
- Modular aesthetic design

Typical Construction:

- Kevlar or steel core cables
- Stainless or mild steel spines & frames
- Roller or continuous wear strips
- Direct shaft mounted motorised gear units



Chain / Indexing Conveyors

Chain / Indexing Conveyors

Unitech's Chain Indexing Conveyors are manufactured to the highest quality & hygienic specification. Our Chain Indexing Conveyors have been utilised in numerous ready meal production lines as standalone meal assembly units or part of an automated system, with fully integrated recipe controlled depositors through to tray sealing machines.

Typical Benefits:

- Suitable for specialised filling and other process applications
- Ideal for ready meal systems
- Stepper motor driven for precise indexing fully automatic & adjustable chain pitch to accommodate various tray sizes
- Machines can incorporate various conveying mediums and flight arrangements
- Rigidly mounted for stability
- Integral automation/control if required
- Hygienic design for ease of cleaning

Typical Construction:

- 304 & 316 stainless-steel framework & chain
- Diamond box section & tubular designs
- UHMWPE (Ultra high molecular weight polyethylene) hygienic wear parts, guides and supports
- Direct shaft mounted motorised gear units



Gravity Roller Conveyors

Gravity Roller Conveyors

Our Gravity Roller Conveyors are used in a wide range of industries to convey products such as cardboard boxes, plastic trays and all manner of goods. These conveyors use the force of gravity to move the products from one point to the other, where a person will then be required to remove and perform the next task in a typical packaging or processing cycle. Unitech can supply & manufacture the complete range of gravity roller conveyors designed to meet your exact requirements.



- Manufactured from 304 & 316 stainless steel, or also available in mild steel powder coated & aluminium.
- Conveyor widths from 200mm inside frame to 1500mm inside frame.
- Roller diameters from 25mm, 35mm, 38mm, 40mm, 50mm, 60mm, 63mm and 76mm.
- Roller pitches dependent upon your load that you wish to convey.
- Roller types include stainless & mild steel, bright zinc plated, and rubber covered and plastic.
- Roller fitting can be easy to remove, they are spring loaded with hex or round spindles. They can also be secured to side frame via bolts.
- Adjustable supports legs are available in many formats, with typical adjustments ranging from +/- 50mm for standard legs to +/- 100mm for non-standard.
- Units can be fitted to existing systems or supplied mobile

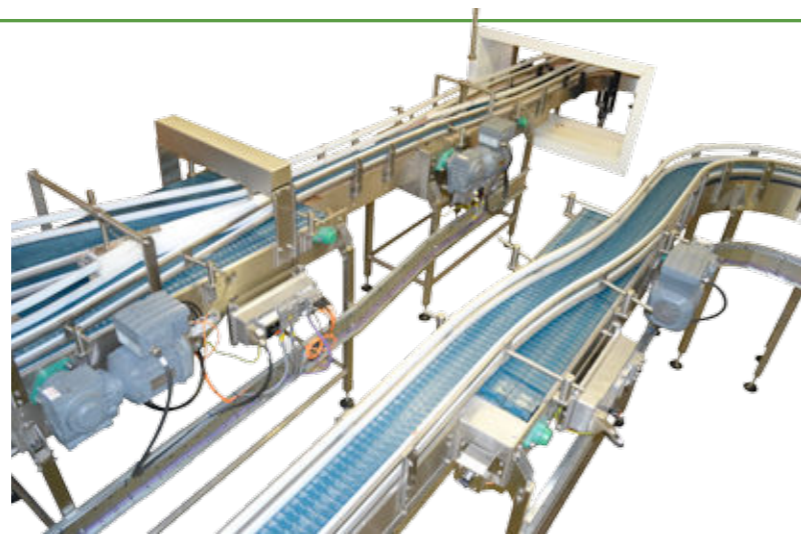
We use a wide range of accessories including:

- Ball tables • Braked rollers • End stops • Lift up gates • Mobile units
- Side guides • Skate wheels • Spiral bends • Turntables

Modular & Slat Belt Conveyors

Modular & Slat Belt Conveyors

Unitech manufacture a wide variety of modular & slat belt conveyors which are designed to suit the requirements of the industry sector they are supplied to, this ranges from industrial warehousing to food, beverage & pharmaceutical environments. Our core modular belt conveyor design is predominately of a stainless-steel construction utilising the latest modular belts on the market to help facilitate the highest quality end product.



- Manufactured from 304 & 316 stainless steel, or also available in mild steel powder coated & aluminium.
- Unitech can provide complete PLC controlled systems or single standalone units which can be integrated into existing system or form part of a complete new packaging/production system.
- Hygienic design to the latest EN BS & EHEDG guidelines for ease of cleaning in the Food Beverage and Pharmaceutical industries.
- Vast array of conveyor widths available typically from (but not limited to) 85mm belt widths to 1500mm widths.
- Adjustable supports legs are available in many formats, with typical adjustments ranging from +/- 50mm for standard legs to +/- 100mm for non-standard.



Typical Configurations & Applications:

- Accumulation conveyors and product buffer storage to cover Unpacked / Packed products and canning & bottle applications.
- Combining conveyors and De-pal table applications available typically for the can & bottle industries.
- De-watering systems
- Elevating applications both foods & packed products
- Horizontal food processing / production
- Horizontal pack transport
- Inspection systems
- Integrated Case Packing & Palletise systems.
- Low Back pressure LBP applications to reduce pressure when accumulating.
- Pivot / Luffing belt conveyor configurations
- PLC controlled systems for new or integration into existing lines
- Products sortation & inspections systems.
- Radius Bend & Tight Radius Conveyors
- Swan neck conveyors
- Tight radius belt conveyor design for minimal foot prints & floor space



Powered Roller Conveyors

Powered Roller Conveyors

Unitech powered roller conveyors are manufactured to suit a variety of applications, constructed from mild steel and stainless-steel. These modular design units are a cost-effective solution for the transportation of packed products suitable for all environments, to create an efficient handling system to cater for a wide range of automated conveying requirements.



Typical Configurations:

- Line shaft driven rollers
- Chain & belt driven rollers
- Motorised rollers for zero-line pressure accumulation/queuing of products without contact to avoid product jams
- PLC controlled systems for new or integration into existing

Typical Applications:

- Case & box handling systems
- Integrated case packing & palletise systems.
- Pallet/tote handling systems
- Sortation systems



PU Belt Conveyors

PU Belt Conveyors

Unitech offer a wide variety of PU belt conveyors suitable for the transportation of products either in packed or unpacked formats, Unitech belt conveyors are predominantly used in the Fish Poultry Bakery and Salad industries where we utilise our ultra-hygienic design to EN BS & EHEDG guidelines. In addition to these types of PU belt conveyors, we also build our belt conveyors for pack & case products which can easily be integrated into our automated packing conveyor systems.



Typical Configurations:

- Horizontal conveyors
- Swan neck conveyors
- Elevating & lowering conveyors
- Bend conveyors
- Pivot conveyors
- Metering / speed up transfer conveyors
- Cantilever design (full endless belt removal without the need for tools)
- Nose bar applications
- Automated belt tracking (for nose bar applications)
- Stay tracked belt conveyors (maintenance free belt tracked conveyors)
- 304 & 316 stainless-steel pressed side frame design hygienic light duty applications
- 304 & 316 stainless-steel diamond box section construction for heavier duty applications
- Reciprocating conveyors for freezer and oven loading
- PLC controlled

Typical Applications:

- Bakery application
- De-watering systems
- Inspection systems
- Sortation systems
- Red meat processing
- PLC controlled systems for new or integration into existing
- Case & box handling systems
- Fish processing
- Integrated case packing & palletise systems
- Poultry processing
- Salad & vegetable processing

Rotary Table

- Manufactured from 304 grade stainless steel
- Nylon or stainless steel top surface
- 1000, 1200, 1500mm standard diameters of turntable but bespoke options also available.
- Free standing unit
- Adjustable in height
- 0.37 kw, single phase, 1.82 amps motor

Spiral Conveyors

Spiral Conveyors

Unitech Spiral conveyors offer an effective solution when products need to be inclined, declined, stored & buffered. Our experienced team can guide you through the process to determine not only the correct type of spiral conveyor but also the most cost effective. PLC controlled systems enable complete integration into your new or existing manufacturing facility.

Typical Configurations:

- Bakery facilities (Buffer Storage, Cooling)
- Case & box handling systems (decline & Incline arrangements)
- Freezer outfeed/infeed feed systems
- Integrated case packing & palletise systems.
- PLC controlled systems for new or integration into existing lines



Vibratory Conveyors

Vibratory Conveyors

Our sister company Driver Southall manufactures bespoke Vibratory Conveyors, they can be incorporated into a new Unitech conveyor system or existing production line.

Driver Southall vibratory Conveyors are designed to run quietly with low power consumption, they are designed with ease of maintenance in mind and therefore offer incredible reliability. The vibrating action is achieved with either electro-magnetic units or with specially designed hydraulic impulse units (if moving large weights is required). The gentle vibrating action eliminates product damage. All conveyors are of bespoke design to customer's specification and product requirements.

Our sister company Driver Southall manufactures bespoke Vibratory Conveyors, they can be incorporated into a new Unitech conveyor system or existing production line.



Wire Belt Conveyors

Wire Belt Conveyors

Here at Unitech we manufacture a range of conveyors and conveyor systems that utilise stainless-steel wire mesh belts. Wire mesh belts are ideal for bakery, confectionary and other suitable industries. The fully bespoke conveyors that we manufacture are made to measure to the customer's exact specifications, this allows for extreme flexibility in the designs of the systems.

- We use many type of wire belts depending of the application
- Hygienic box section construction
- 304 & 316 stainless-steel pressed side frame design hygienic light duty applications
- 304 & 316 stainless-steel diamond box section construction for heavier duty applications



Unitech Specialise in Bespoke

At Unitech, we understand that every client's requirements are different. Whether you require standard fabricated items from our catalogue range, turnkey systems or require bespoke products, Unitech are here to assist you. We have experienced technical sales, in-house design and project management teams who will visit you at your site to discuss your project requirements. Below are just a few of the recent 'specials' we have completed for various customers in different industries.

Contact us today on **+44 (0) 1543 675800** or email us on info@unitech.uk.com.



Bottle Lowerator/ Inverter

Side grip plastic bottle lowerator with inversion for air rinsing of the bottles. Adjustable in size to allow differing bottles to be run, high throughput in a small footprint. For use in water, dairy, juice and soft drink applications.



Rice Cake Cooling Line



Rice cake cooling complete with laning and separation of the rice cakes. The cooling conveyor reduces the temperature of the cakes from 120°C down to 20°C allowing faster packaging of the product. Rice cakes are very delicate in nature and require smooth handling, all being achieved to the customer's satisfaction.

Chicken Wing Trimming Line



Typical twin tier chicken wing trimming stations, designed around the customer's specific requirements for their labour and product specification.

Single Column Lift



Single Column Lift and Tip

- Designed to lift and tip standard 200 litre euro tote bins
- It can be manufactured as a mobile version on braked casters or as a static unit which can be bolted to the floor
- Adjustable tipping height with a maximum tipping height of 2200mm and a minimum tipping height of 1100mm
- Lifting speed 6 metres / min
- Other options and models available including guarding – contact us direct to discuss your requirements

Technical Data

- Made from 304 grade stainless steel
- Matt finish
- Maximum lifting capacity of 350kg including bin and product
- Nominal size with bin 1070mm x 1520mm x 2862mm high
- 415 volt 3 phase 0.75kw motor



Twin Column Dolav Lift and Tip

- Designed to lift and tip dolav bins with the capacity of 1.5 tonnes
- Fully guarded
- Heavy duty construction
- Can be bolted to floor for stability
- Manufactured from 304 grade stainless steel



Hydraulic Dolav Tipper

- Used mainly in the food industry to tip standard 600 litre Euro containers at lower tipping heights onto tables, conveyors etc.
- This model uses a hydraulic power pack to operate
- Maximum lifting capacity 800kgs to 1500kgs including container
- 304 grade stainless steel
- Mobile and static versions available
- Mains or battery operated

Many more models available, call to discuss your requirements



Tote Bin Tippy

- Manufactured from 304 grade stainless steel
- Bead blast finish
- Hydraulic operation
- 250kg maximum lifting capacity
- Adaptable to suit barrels, containers or other varied applications
- Lifting frame provided with a retaining mechanism
- Right or left operation
- Mobile or static versions available

Twin column Lift and Tip

- Designed to lift and tip standard 200 or 300 litre euro tote bins
- Can be bolted to floor for static version or mobile version available with braked castors
- Can be manufactured to tip to the left or the right hand side
- Individually designed tip chute available
- Heavy duty construction
- Fully guarded

Tote Bin Scale

- Designed to lift and weigh 200 litre tote bins
- Can be mounted to the floor on fully adjustable feet
- Complete with weigh cell and digital reader
- Manually operated

Technical Data

- Made from 304 grade stainless steel
- Matt finish
- Maximum weighing capacity 300kg including bin and product
- Nominal size: 800mm x 800mm x 1100mm



Many more attachments available, call to discuss your requirements

Uni Lift



Uni Lift Lifting & Loading Machine

- Revolutionary design.
- Battery or manual operated.
- Multi-purpose lifting and loading machine.
- Lift a wide range of articles directly from pallets.
- Quickly convey them to your production area.
- Present them at the precise height.
- Minimise the risk of operator injury.
- Lifting capacity of 125kg.
- Use heavier, bigger pack sizes.
- Reducing changeover frequency and line downtime.
- Just one machine to do multiple tasks.

Many more attachments available, call to discuss your requirements

Euro/Tote Bins

Buggies

- Heavy duty 5mm reinforced base.
- Fully welded crevice free construction with beaked front rim.
- Pushing handle for operation.
- Diamond pattern wheel for manoeuvrability.
- Can be manufactured with or without sideflights.

120 Litre	540 x 540 x 600mm	Code TB.120
200 Litre	710 x 680 x 700mm	Code TB.200
300 Litre	710 x 680 x 940mm	Code TB.300



Perforated Buggies

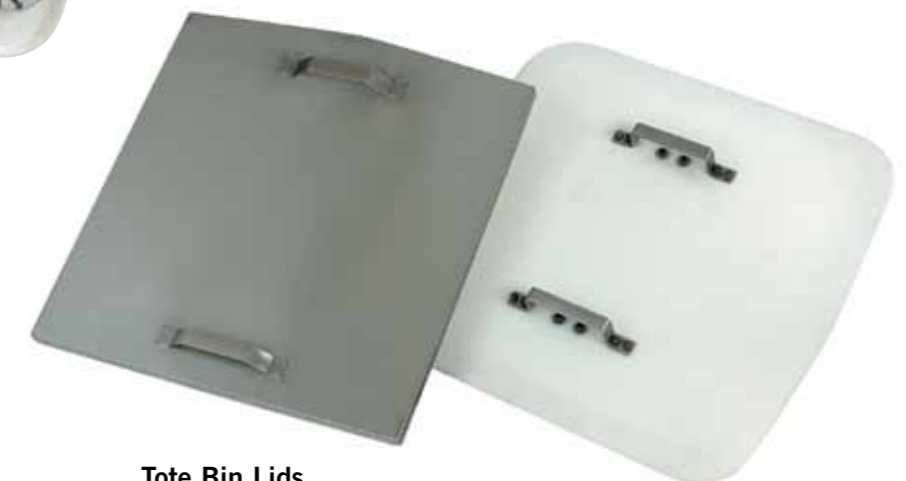
- Heavy duty 5mm reinforced base.
- Fully welded crevice free construction with beaked front rim.
- Pushing handle for operation.
- Diamond pattern wheel for manoeuvrability.
- Can be manufactured with or without sideflights.

120 Litre	540 x 540 x 600mm	Code PTB.120
200 Litre	710 x 680 x 700mm	Code PTB.200
300 Litre	710 x 680 x 940mm	Code PTB.300

Insulated Tote Bins

- Heavy duty 5mm reinforced base.
- Fully welded crevice free construction with beaked front rim.
- Pushing handle for operation.
- Diamond pattern wheel for manoeuvrability.
- Can be manufactured with or without sideflights

Internal Cladding	160 Litre	Code TBI.01.001
External Cladding	200 Litre	Code TBI.01.002



Tote Bin Lids

- Choose from: Stainless steel
Polypropylene
Insulated
- Buggy lid trolley available for transportation.
- Supplied with lifting handles.

Stainless steel lid	Code TB.SS1.01
Polypropylene lid	Code TB.PP1.01
Insulated lid	Code TB.IN1.01

Euro/Tote Bins

300 Litre Buggies

- Heavy duty 5mm reinforced base.
- Fully welded crevice free construction with beaked front rim.
- Pushing handle for operation.
- Diamond pattern wheel for manoeuvrability.
- Can be manufactured with or without sideflights.

Code **TB.300**



Buggie Racking

- Stainless steel construction.
- Secure holding position.
- Variable width and height to suit customer application.
- Easily assembled.
- Ideal storage for congested production areas.
- Manufactured to suit buggie size.
- Modular construction.

- 1 Bay Code **TBR.001**
- 2 Bay Code **TBR.002**
- 3 Bay Code **TBR.003**
- 4 Bay Code **TBR.004**
- 5 Bay Code **TBR.005**



Tote Bin Stacker

Range of Taps



Cross Head Basin Tap
Code **500BX**



Cross Head Bib Tap
Code **500WX**



Cross Head Pillar Tap
Code **500SX**



Lever 3" Pillar Tap
Code **500SL3**



Deck Lever 3" Mixer Tap
Code **500ML3**



Lever Mono Block Mixer Tap
Code **700BML**



Deck Mixer Tricon Head
Code **600DSMR**



Deck Mixer Tap Cross Head
Code **500MX**

Pre-Rinse Assemblies



Pre-Rinse
KN66

Code **DP601BR**



Pre-Rinse
KN50
(Mono Block)

Code **DP501BR**



Pre-Rinse
KN53

Code **OHW30AS**



Pre-Rinse
Short Type
with Pot Filler

Code **0HD20M**

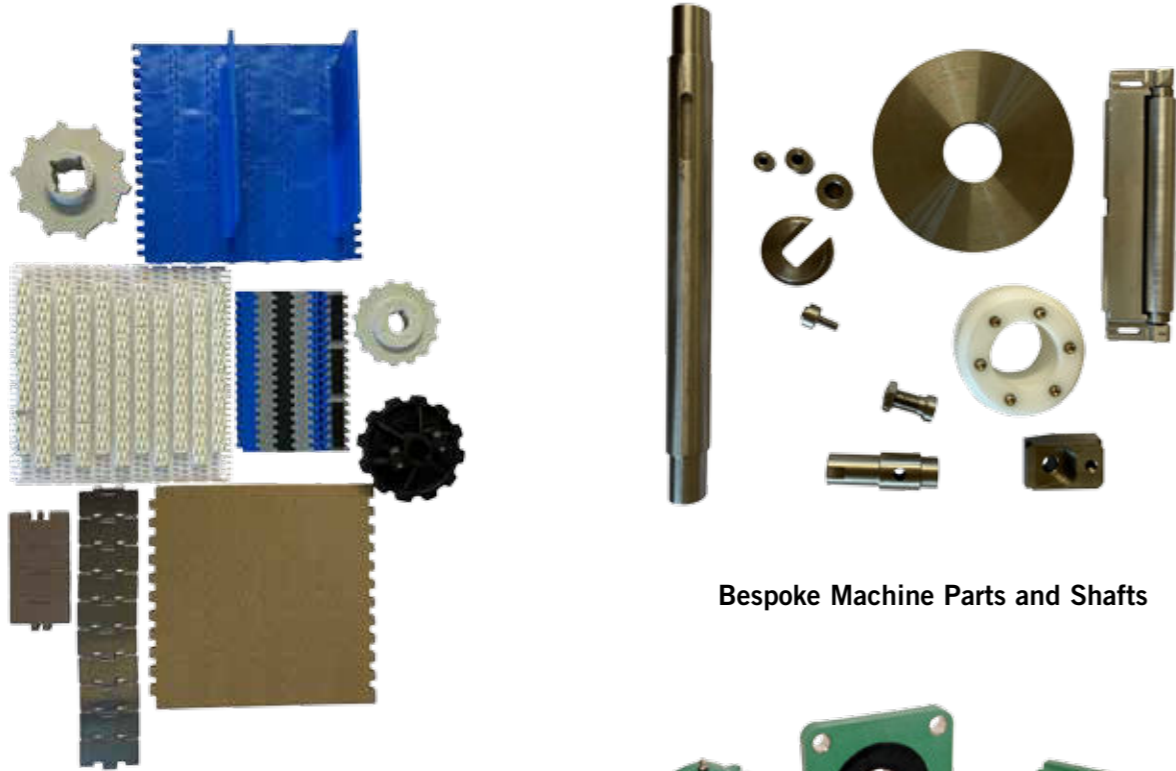


Short
Pre-Rinse

Code **0HD30M**

Parts & Spares

Sink Spares



Bespoke Machine Parts and Shafts

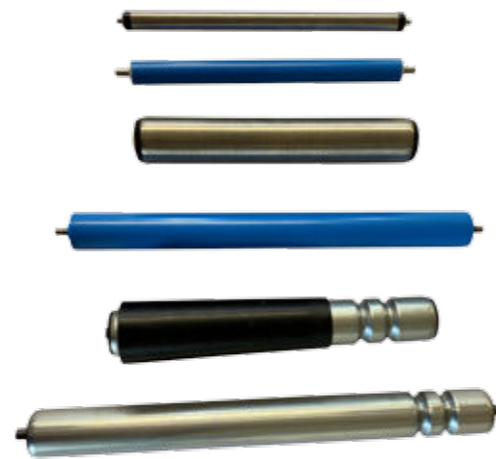
Slat Chain, Modular Belt and Sprockets



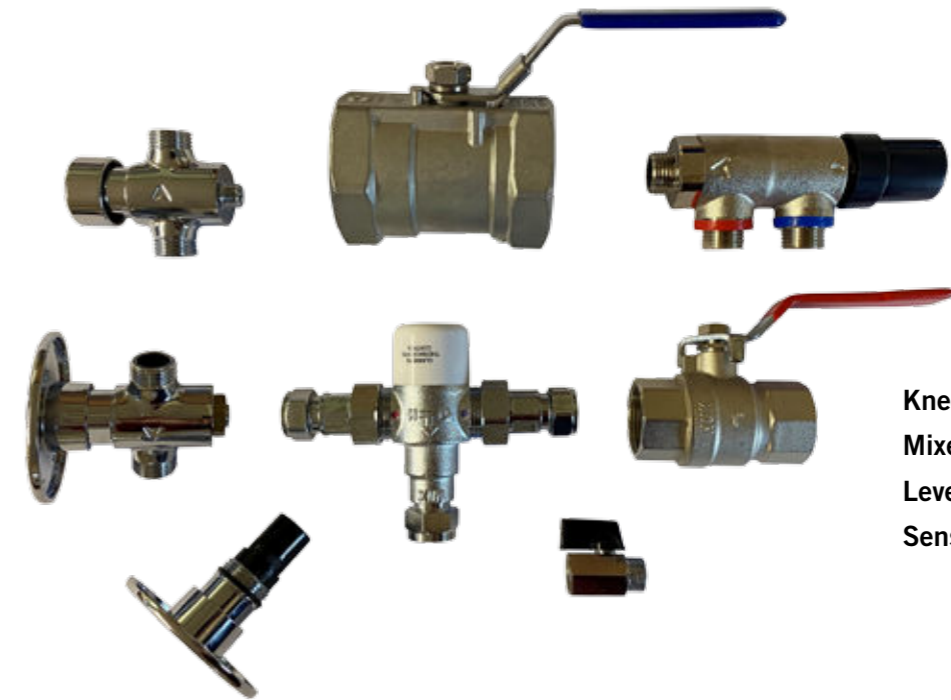
Drive and Idler Drums



Conveyor Components Change Parts



Gravity and Lineshaft Rollers



Knee Valves
Mixer Valves
Lever Ball Valves
Sensor Tap Spares

Tables, Trolleys & Rack Spares



Levelling Feet and Bungs

Castors

CONTACT OUR SPARES TEAM DIRECT AT SPARES@UNITECH.UK.COM

The Unitech Industries Group



Suppliers of catering equipment and chemicals ranging from light equipment, disposables, crockery and cooking equipment.



Checkweighers, metal detectors, combination systems, vibratory conveyors, floor and bench scales.



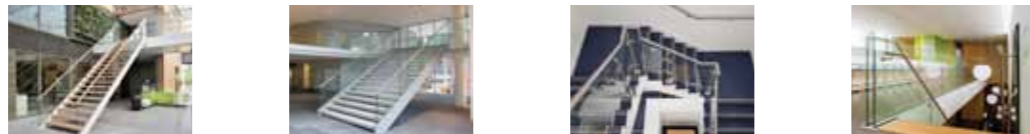
Bespoke food service and retail counters, refrigerated, heated and ambient displays, commercial kitchens, hot plates and scone plates.



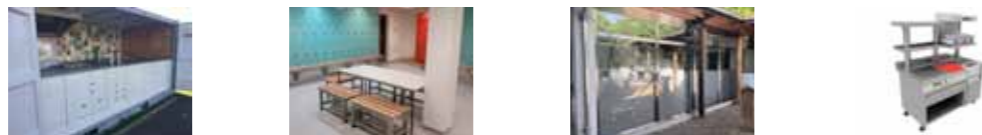
Kitchen planning and design, stainless steel custom food service solutions, specialist joinery and Corian manufacturing, service maintenance, breakdown repair and turnkey shopfitting.



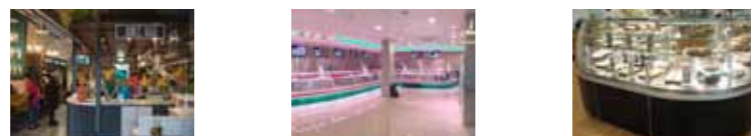
Design, supply and installation of modular handrail and balustrade systems specialising in stainless steel with glass infill and structural glass balustrades.



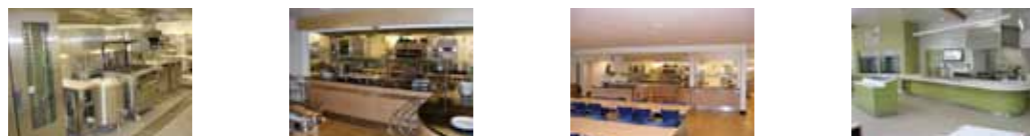
Bespoke catering equipment from tables to bespoke servery counters, marine proof locker room equipment and custom designed refits and bespoke projects.



Bespoke and modular counter services for a range of sectors within the food service industry, refrigeration, warewashing, counter solutions, cooking and foodservice products.



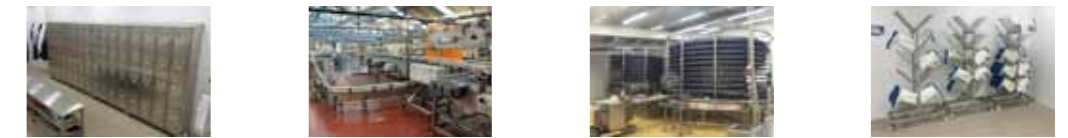
Design, supply and installation of commercial catering equipment for all sectors of the industry including schools, hotels, high street outlets, universities and restaurants.



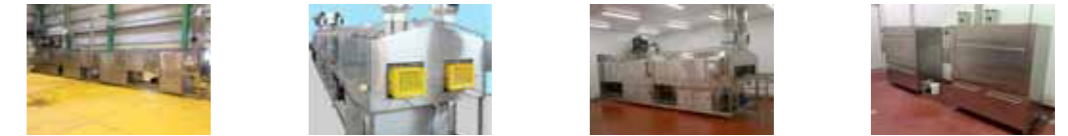
The Unitech Industries Group



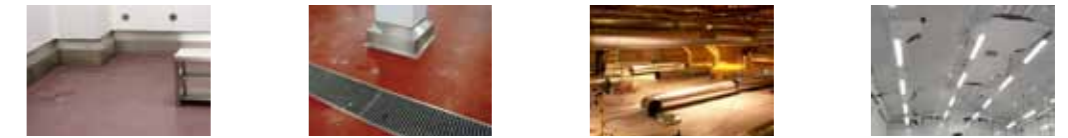
Hygiene Entrances, Sinks, Boot Washers, Lifting and Tipping, Conveyor Systems, Stainless steel tables, locker room equipment, bakery trolleys and trays and bespoke solutions.



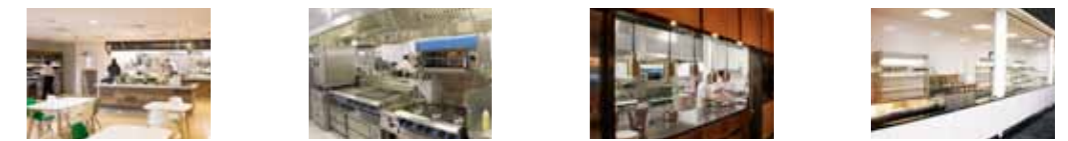
Crate and tray washers, pan and utensil washers, tote bin and buggy washers, rack washers, sanitising tunnels, pallet washers and dolav and bulk container washing.



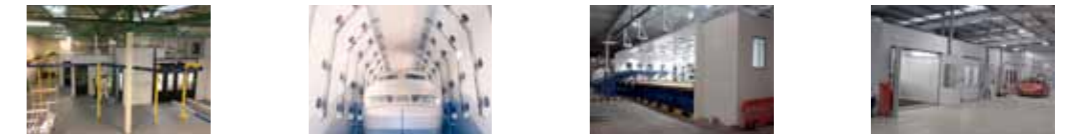
Process and freezer room construction, drainage systems and kerbing, platform and structural steel and mechanical and electrical services.



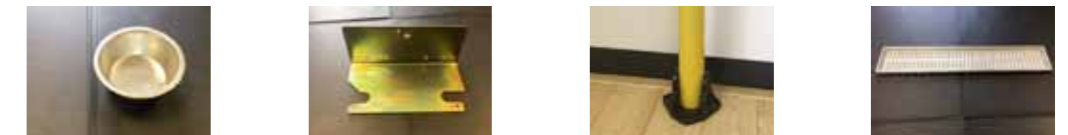
Kitchen design and installation, food servery counters and bars, service and maintenance, bespoke fabrication, extraction systems, light equipment and much more.



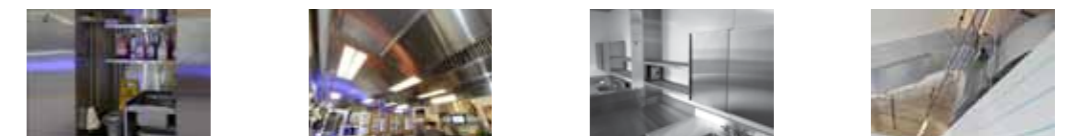
Paint finishing plant and equipment including spray booths, bespoke turnkey solutions, industrial ovens and surface finishing systems.



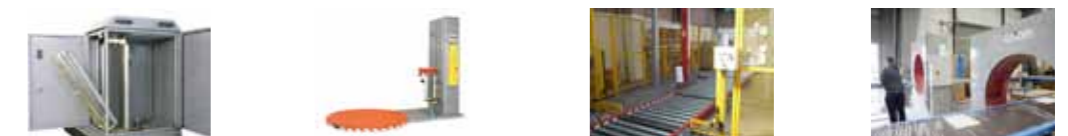
Specialists in high quality pressings, fabrications and welded assemblies. On site laser cutting facilities and full manufacturing process from prototype to production.



Custom fabrication, serveries and food distribution systems supplying to restaurants, schools, universities, staff canteens and Her Majesty's prison service.



Pallet wrapping and stretch wrapping machines including bespoke packaging solutions and luggage wrappers. Automatic and semi-automatic packaging machinery.





UNITECH

ENGINEERING

Unitech House
Prospect Road
Burntwood
Staffordshire
WS7 0AU

info@unitech.uk.com
www.unitech.uk.com

Part of the Unitech Industries Group

www.unitechindustries.co.uk



UNITECH

ENGINEERING

